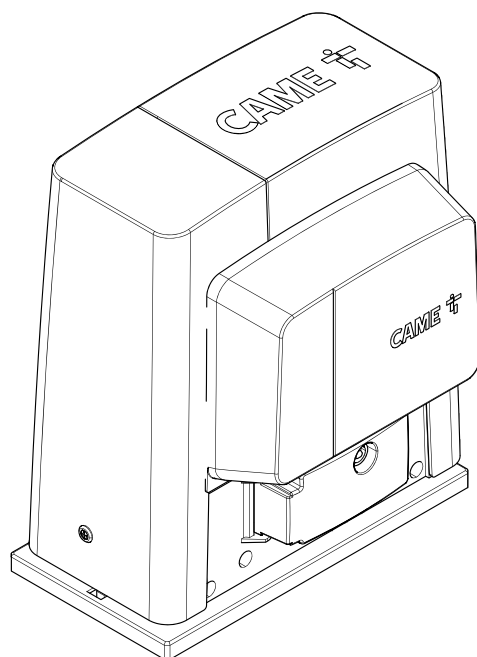




## Sliding gate operator BK series

FA01162-EN



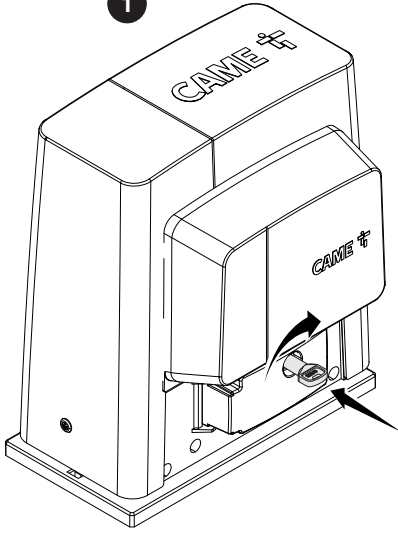
**BKS08AGS / BKS12AGS / BKS18AGS**  
**BKS22AGS / BKS18RGS**

INSTALLATION MANUAL

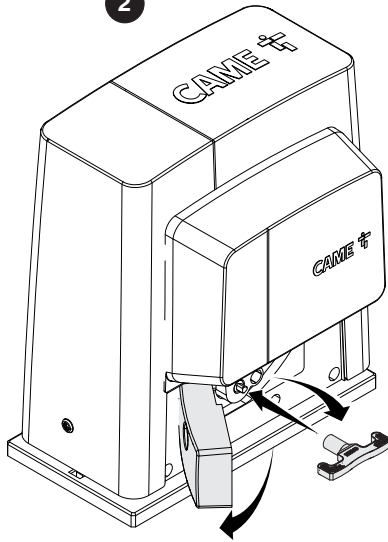
EN English



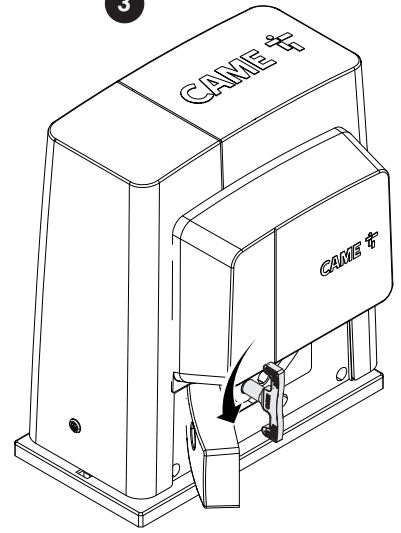
1



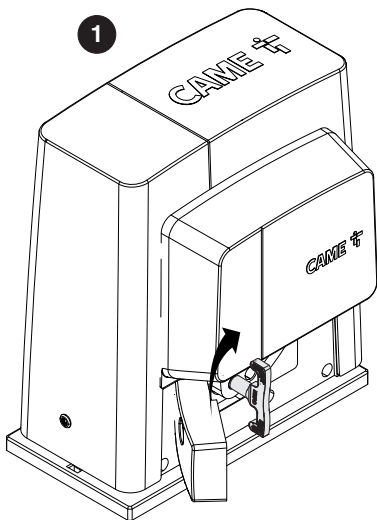
2



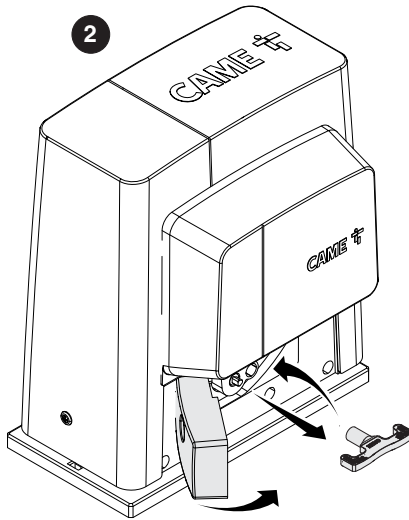
3



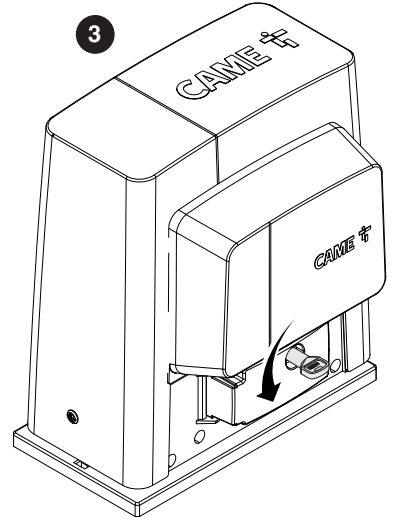
1



2



3



## GENERAL PRECAUTIONS FOR INSTALLERS

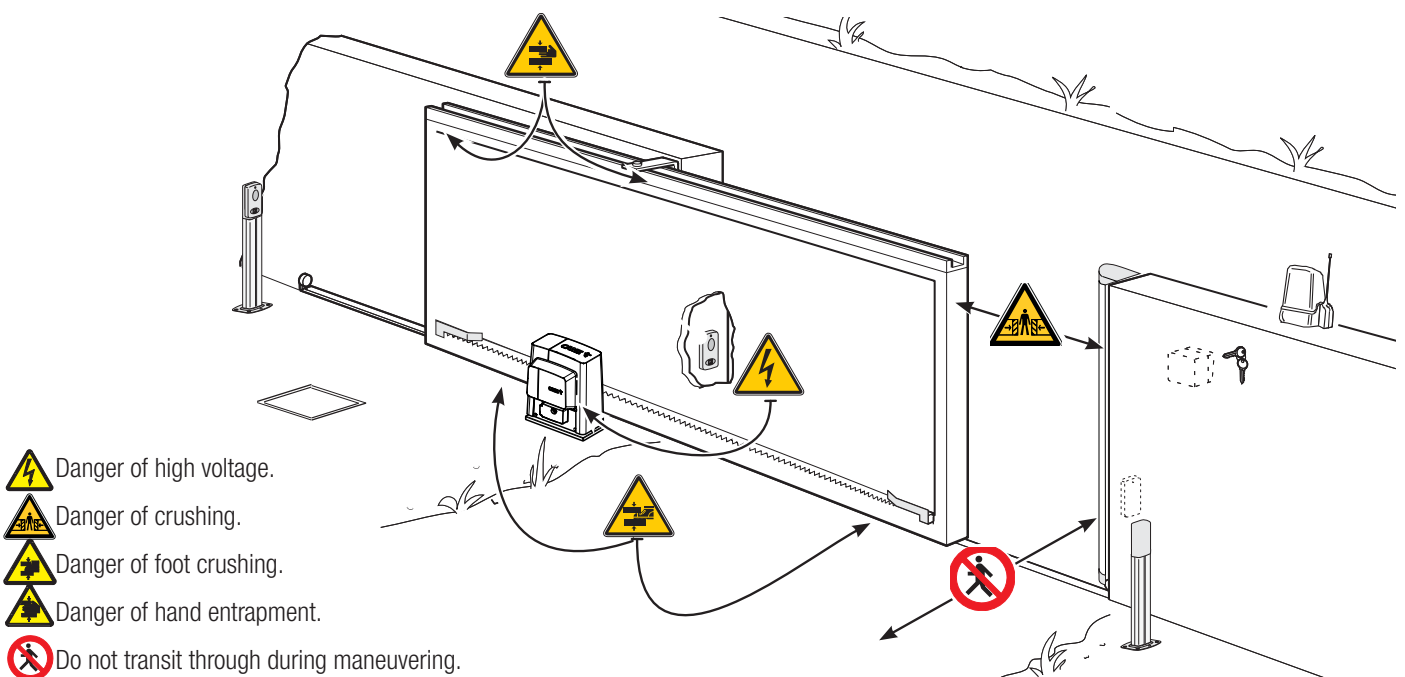
⚠ **WARNING! Important safety instructions.**

**Follow all of these instructions. Improper installation can cause serious bodily harm.**




**Before continuing, also read the general precautions for users.**

This product must only be used for its specifically intended purpose. any other use may be hazardous. Came S.p.A. is not liable for any damage caused by improper, wrongful and unreasonable use. • This manual's product is defined by machinery directive 2006/42/CE as "partly-completed machinery". Partly-completed machinery is a set that almost constitutes a machine, but which, alone, cannot ensure a clearly defined application. Partly-completed machinery must only be incorporated or assembled to other machinery or other partly-completed machinery or apparatuses to build machinery that is regulated by Directive 2006/42/CE. The finalized installation must comply with European Directive 2006/42/CE and with currently applicable European standards. • Given these considerations, all procedures stated in this manual must be exclusively performed by expert, qualified staff • The manufacturer declines any liability for using non-original products; which would result in warranty loss • Keep this manual inside the technical folder along with the manuals of all the other devices used for your automation system. • Make sure the temperature range shown on the product is suitable for the climate where it will be installed • Laying the cables, installation and testing must follow state-of-the-art procedures as dictated by regulations • If the power-supply cable is damaged, it must be immediately replaced by the manufacturer or by an authorized technical assistance center, or in any case, by qualified staff, to prevent any risk • During all phases of the installation make sure you have cut off the mains power source. • The operator cannot be used with gates fitted with pedestrian doors, unless its operation can be activated only when the pedestrian door is in safety position. • Make sure that people are not entrapped between the gate's moving and fixed parts due to the gate's movement. Before installing the operator, check that the gate is in proper mechanical condition, that it is properly balanced and that it properly closes: if any of these conditions are not met, do not continue before having met all safety requirements. • Make sure the gate is stable and the castors function properly and are well-greased, and that it opens and closes smoothly. • The guide rail must be well-fastened to the ground, entirely above the surface and free of any impediments to the gate's movement. • The rails of the upper guide must not cause any friction. • Make sure that opening and closing limiters are fitted • Make sure the operator is installed onto a sturdy surface that is protected from any collisions • Make sure that mechanical stops are already installed • If the operator is installed lower than 2.5 from the ground or from any other access level, fit any protections and signs to prevent hazardous situations. • Do not fit the operator upside down or onto elements that could yield to its weight. If necessary, add reinforcements to the fastening points • Do not install door or gate leaves on tilted surfaces • Check that no lawn watering devices spray the operator with water from the bottom up. • Any residual risks must be indicated clearly with proper signage affixed in visible areas. All of which must be explained to end users. • Suitably section off and demarcate the entire installation site to prevent unauthorized persons from entering the area, especially minors and children. • Affix cautionary signs, such as the door plate, the gate plate, wherever needed and in plain sight. • Use proper protections to prevent mechanical hazards when people are loitering around the machinery's range of action, for example to prevent finger crushing between the rack and pinion) • The electrical cables must run through the cable glands and must not touch any heated parts, such as the motor, transformer, and so on) • Make sure you have set up a suitable dual pole cut off device along the power supply that is compliant with the installation rules. It should completely cut off the power supply according to category III surcharge conditions • All opening controls must be installed at least 1.85 m from the perimeter of the gate's working area, or where they cannot be reached from outside the gate. • All switches in maintained action mode must be positioned so that the moving gates leaves, the transit areas and vehicle thru-ways are completely visible, and yet the switches must be also away from any moving parts • Unless the action is key operated, the control devices must be fitted at, at least, 1.5 m from the ground and must not be accessible to the public. • To pass the collision force test use a suitable sensitive safety-edge. Install it properly and adjust as needed. • Before handing over to users, check that the system is compliant with the 2006/42/CE uniformed Machinery Directive • Make sure the settings on the operator are all suitable and that any safety and protection devices, and also the manual release, work properly. • Affix a permanent tag, that describes how to use the manual release mechanism, close to the mechanism. • Make sure to hand over to the end user, all operating manuals for the products that make up the final machinery • To lift manually, add one person for every 20 kg to be lifted. Otherwise use suitable hoisting equipment.

- The next figure shows the main hazard points for people -



## KEY

-  This symbol shows which parts to read carefully.
-  This symbol shows which parts describe safety issues
-  This symbol shows which parts to tell users about.

The measurements, unless otherwise stated, are in millimeters.

## DESCRIPTION

Operator fitted with control board and mechanical limit-switches for sliding gates weighing up to 2,200 kilograms.

### INTENDED USE

The operator is designed to power sliding gates used in apartment blocks and industrial plants.

 Do not install or use this device in any way, except as specified in this manual.

### INTENDED USE

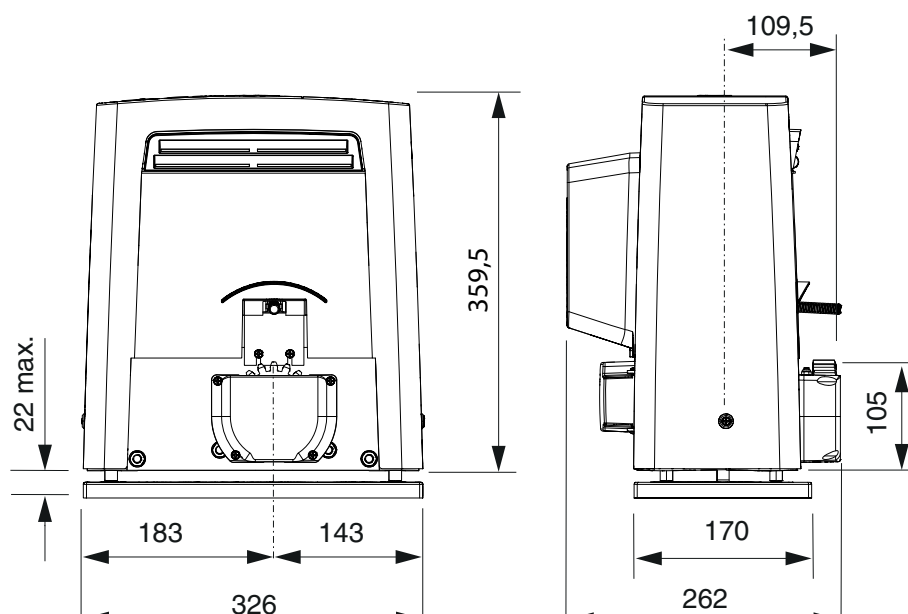
Model	BKS08AGS	BKS12AGS	BKS18AGS / RGS	BKS22AGS
Standard reference* length of the sliding part (m)			10	
Maximum weight of the sliding part (kg)	800	1,200	1,800	2.200
Pinion module	4	4	4	6

\* For other-than-standard measurements, see the following graphs.

## TECHNICAL DATA

Model	BKS08AGS	BKS12AGS	BKS18AGS	BKS22AGS	BKS18RGS
Protection rating (IP)			44		
Power supply (V - 50/60 Hz)		230 AC			120 AC
Input voltage to motor (V - 50/60 Hz)		230 AC			120 AC
Stand-by consumption (W)			4.5		
Stand-by consumption with the RGP1 (W) module		0.5			-
Power (W)	580	540	660	660	580
Thrust (N)	800	850	1150	1500	1100
Opening speed (m/min)			10.5		
Operating temperature (°C)			-20 to +55		
Condenser (µF)	22	25	31.5	35	140
Apparatus class			I		
Motor's heat protection (°C)			150		
Acoustic pressure dB (A)			≤70		
Weight (Kg)	21	18	19.5	21	19.5

## DIMENSIONS



## DUTY CYCLES

BKS08AGS / 12AGS / 18AGS / 22AGS  
BKS18RGS

Cycles/hour (no.)

14

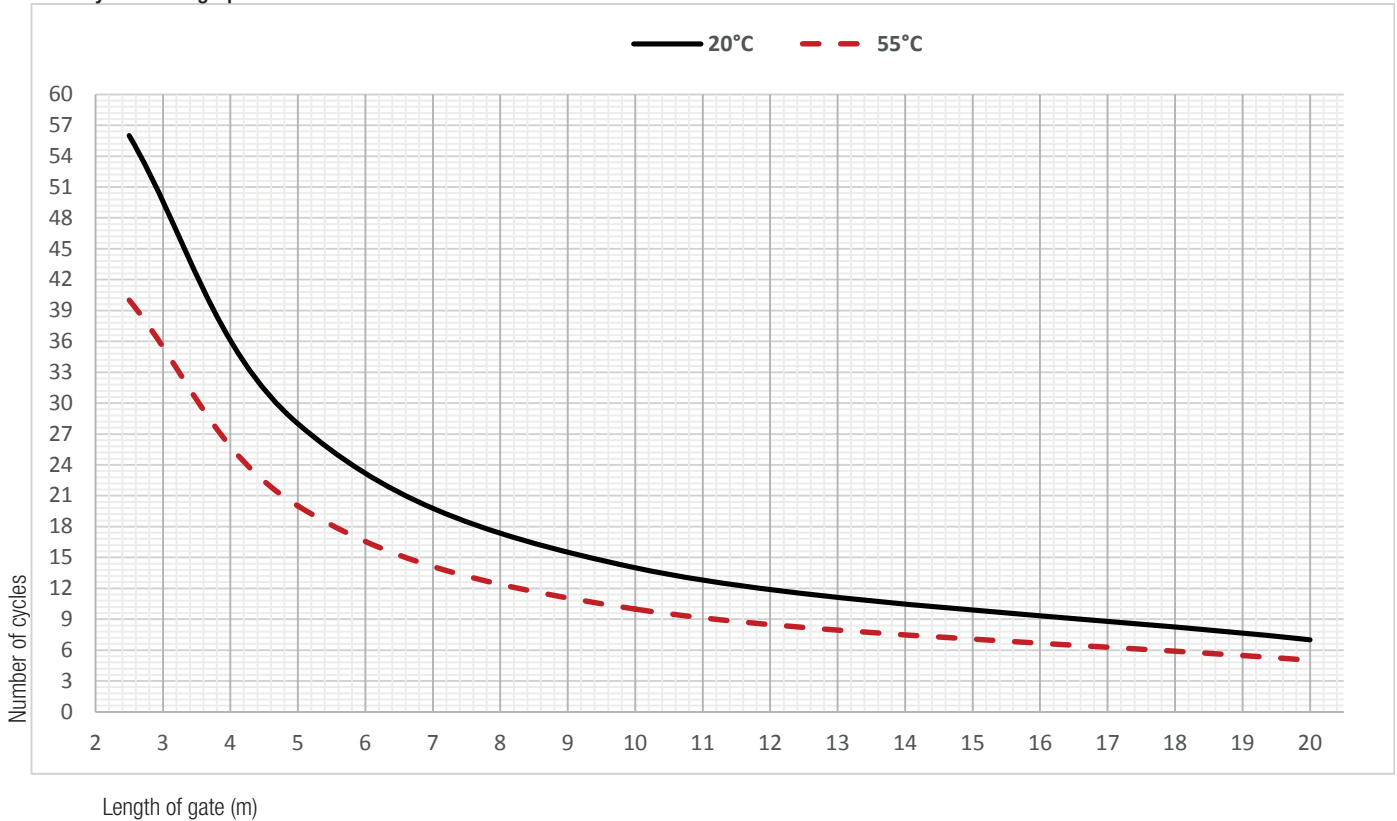
Consecutive cycles (no.)

13

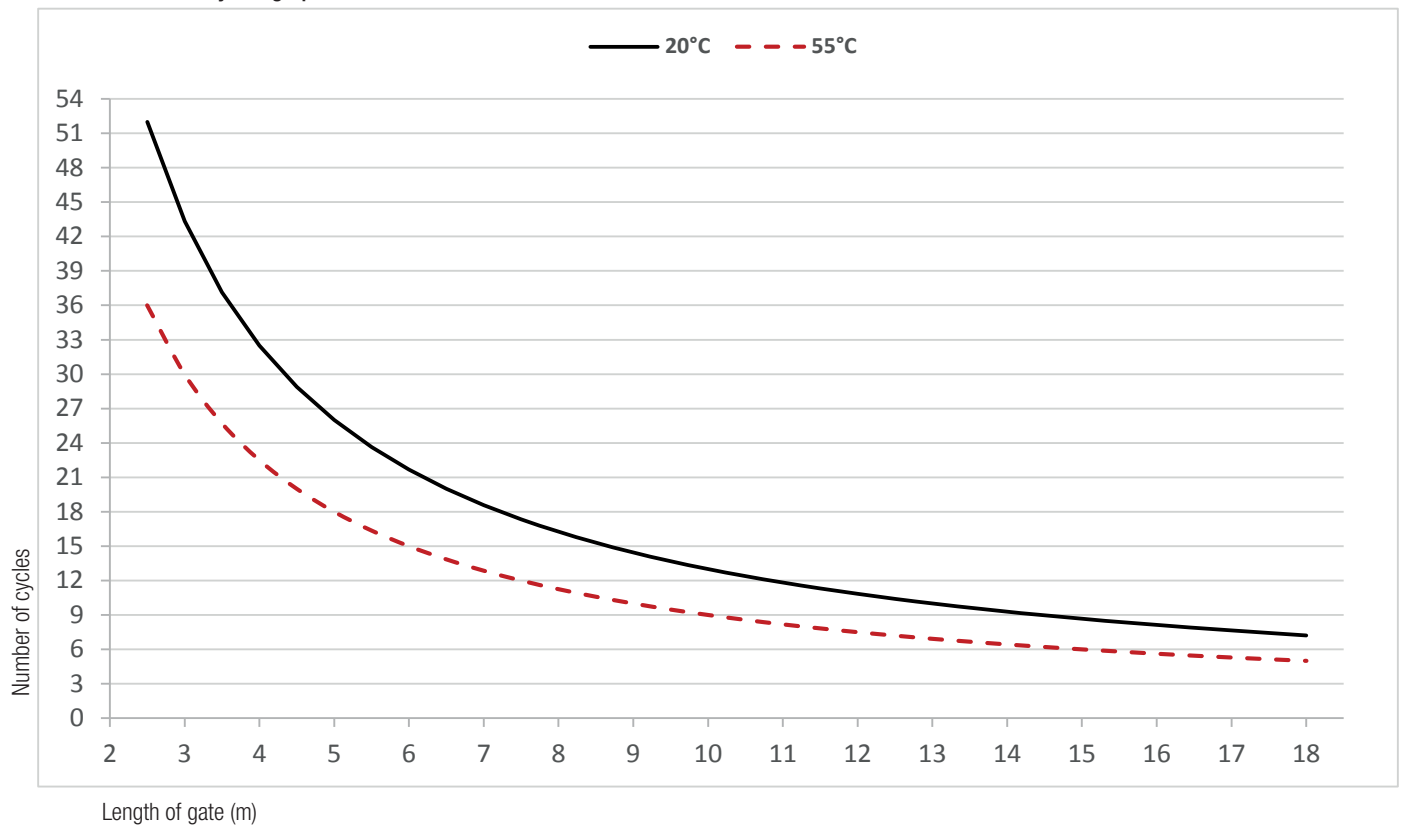
The cycles calculation is for standard-length gates (see the intended use), that are professionally installed, free of any mechanical issues and/or accidental friction points, and measured at 20° C, as stated in EN Standard 60335-2-103.

When using other-than-standard measurements, see the graphs below.

### • Cycles/hour graph

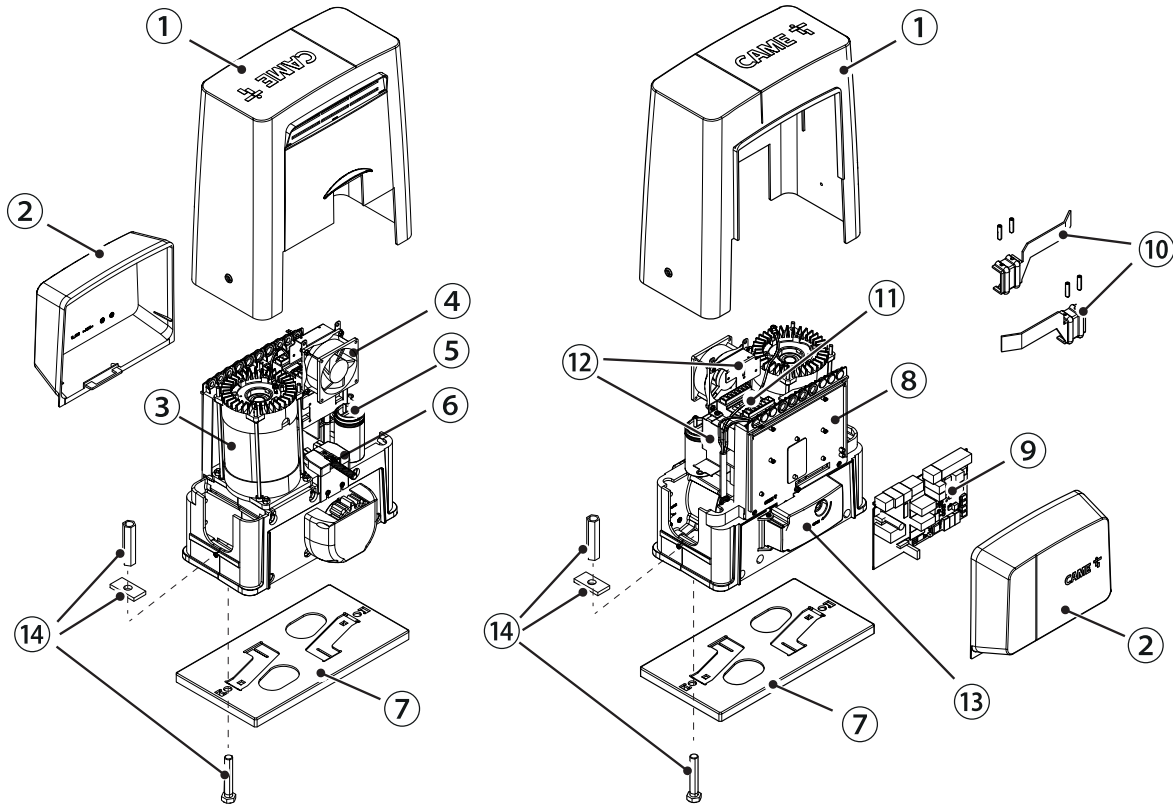


### • Consecutive cycles graph



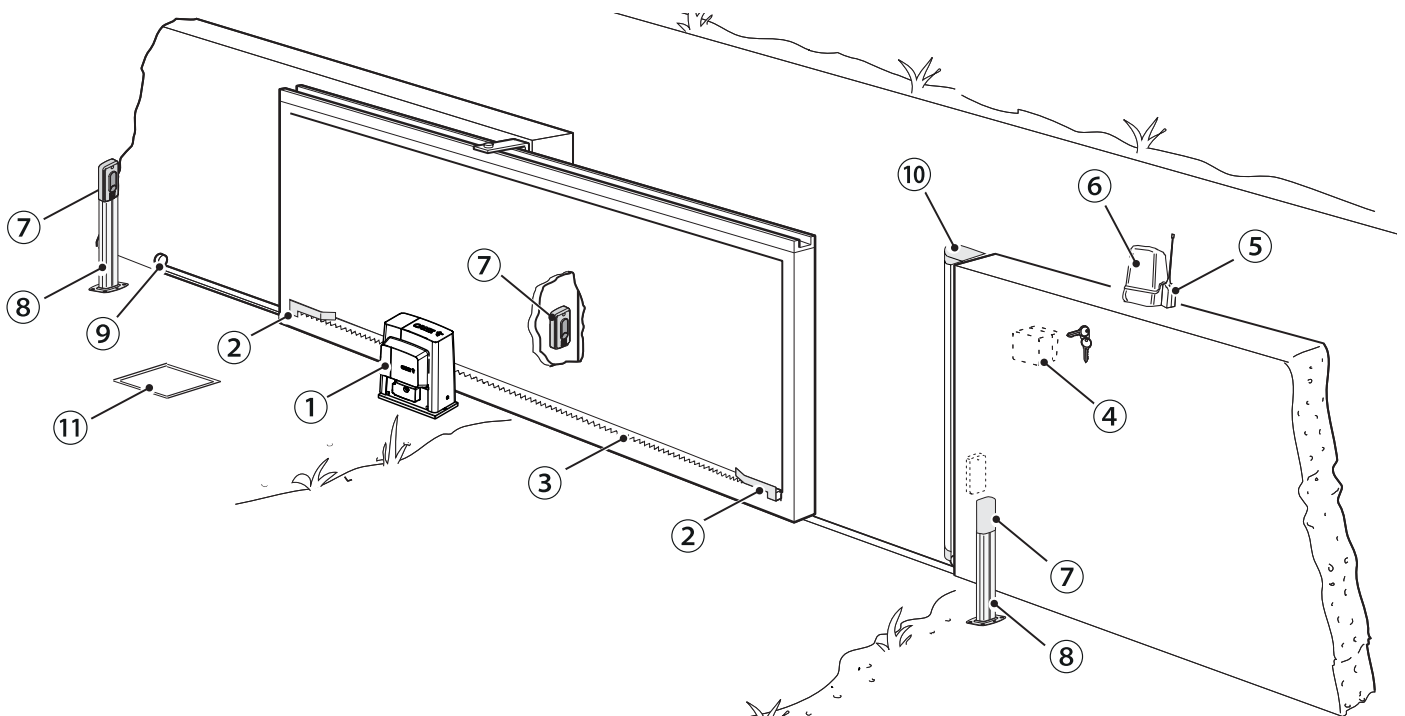
## DESCRIPTION OF PARTS

- |                            |  |
|----------------------------|--|
| 1. Cover                   | 8. Control board rack                                  |
| 2. Front cover             | 9. ZBKN control board                                  |
| 3. Gear motor              | 10. Limit-switch fins                                  |
| 4. Fan (BKS08AGS series)   | 11. Transformer  |
| 5. Condenser               | 12. Mounting braces for housing accessories (optional) |
| 6. Mechanical limit switch | 13. Release hatch                                      |
| 7. Anchoring plate         | 14. Fastening hardware                                 |



## STANDARD INSTALLATION

- |                        |                           |
|------------------------|---------------------------|
| 1. Operator            | 7. Photocells             |
| 2. Limit-switch fins   | 8. Small post             |
| 3. Rack                | 9. Mechanical gate stop   |
| 4. Key-switch selector | 10. Sensitive safety-edge |
| 5. Antenna             | 11. Junction pit          |
| 6. Flashing light      |                           |



## GENERAL INSTALLATION INDICATIONS

⚠ Only skilled, qualified staff must install this product.

### PRELIMINARY CHECKS

⚠ Before beginning the installation, do the following:

- check that the upper slide-guides are friction-free;
- check that the gate is stable and that the casters are in good working order and lubricated;
- check that the ground rails are well-fastened, entirely on the surface and are smooth and level so as not to obstruct the gate's movement;
- make sure you have fitted opening and closing mechanical gate stops;
- make sure that the point where the operator is fastened is protected from any impacts and that the surface is solid enough;
- set up suitable tubes and conduits for the electric cables to pass through, making sure they are protected from any mechanical damage.

### CABLE TYPES AND MINIMUM THICKNESSES

Connection	cable length	
	< 20 m	20 < 30 m
Input voltage for 230 V AC control board (1P+N+PE)	3G x 1.5 mm <sup>2</sup>	3G x 2.5 mm <sup>2</sup>
Flashing light		2 x 0.5 mm <sup>2</sup>
Command and control devices		2 x 0.5 mm <sup>2</sup>
TX Photocells		2 x 0.5 mm <sup>2</sup>
RX photocells		4 x 0.5 mm <sup>2</sup>

📖 When operating at 230 V and outdoors, use H05RN-F-type cables that are 60245 IEC 57 (IEC) compliant; whereas indoors, use H05VV-F-type cables that are 60227 IEC 53 (IEC) compliant. For power supplies up to 48 V, you can use FROR 20-22 II-type cables that comply with EN 50267-2-1 (CEI).

📖 To connect the antenna, use the RG58 (we suggest up to 5 m).

📖 For paired connection and CRP, use a UTP CAT5-type cable (up to 1,000 m long).

📖 If cable lengths differ from those specified in the table, establish the cable sections depending on the actual power draw of the connected devices and according to the provisions of regulation CEI EN 60204-1.

📖 For multiple, sequential loads along the same line, the dimensions on the table need to be recalculated according to the actual power draw and distances. For connecting products that are not contemplated in this manual, see the literature accompanying said products

## INSTALLING

⚠ The following illustrations are mere examples in that the space for fastening the operator and accessories varies depending on the installation area. It is up to the fitter, therefore, to choose the most suitable solution.

📖 The drawing show an operator fitted on the left.

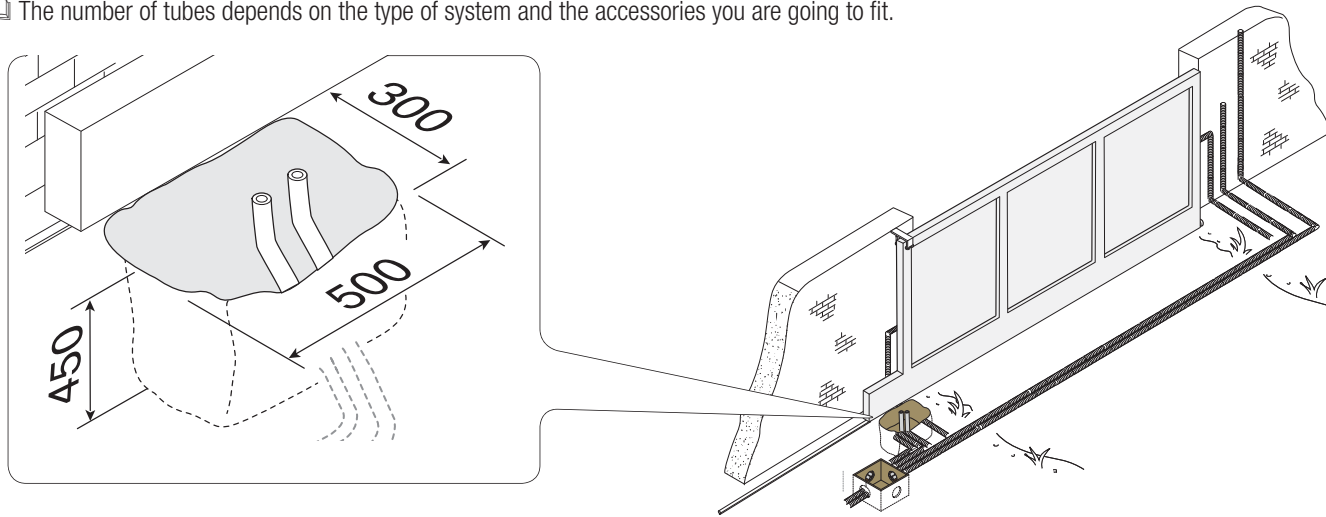
### LAYING THE CORRUGATED TUBES

Dig a hole for the foundation frame.

Set up the corrugated tubes needed for the wiring coming out of the junction pit.

For connecting the gearmotor we suggest using a Ø 40 mm corrugated tube, whereas for the accessories we suggest Ø 25 mm tubes.

📖 The number of tubes depends on the type of system and the accessories you are going to fit.

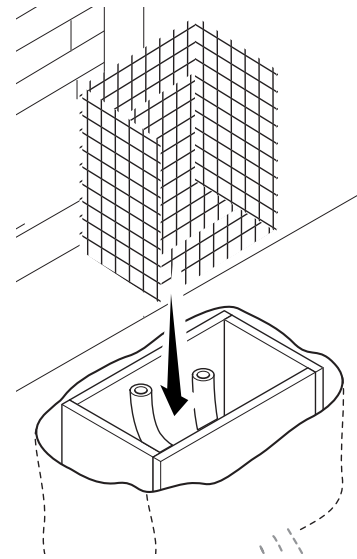
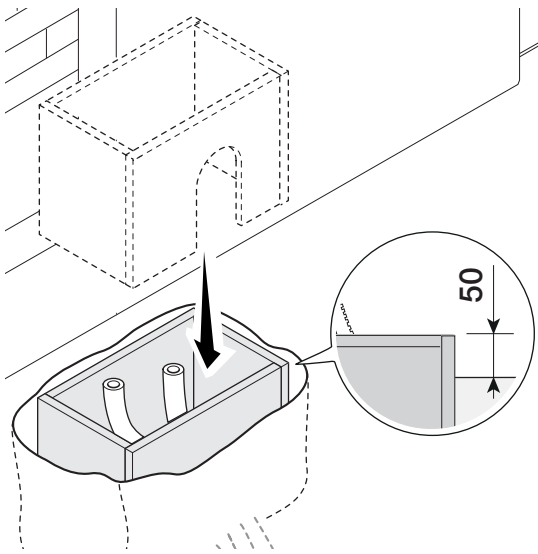




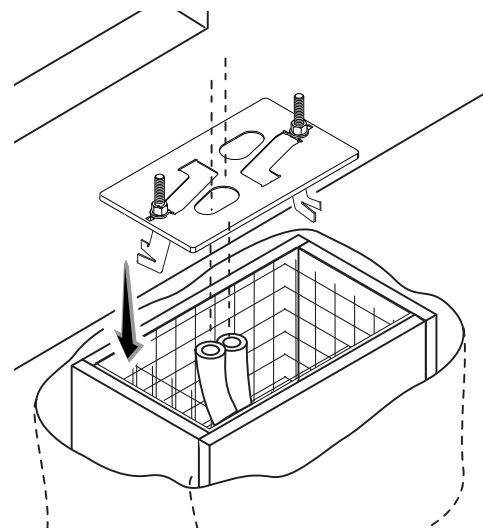
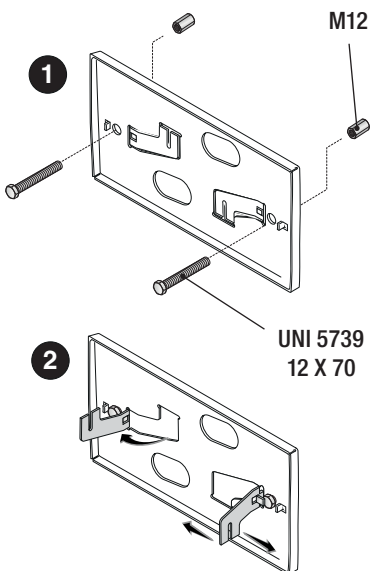
## FITTING THE ANCHORING PLATE

Set up a foundation frame that is larger than the anchoring plate and sink it into the dug hole. The foundation frame must jut out by 50 mm above ground level.

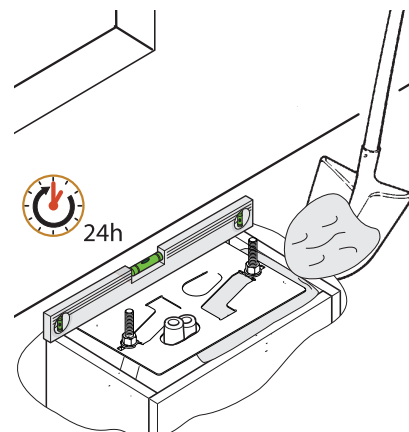
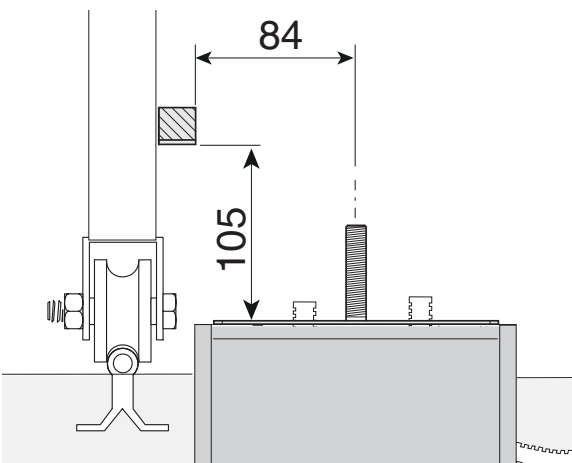
Fit an iron cage into the foundation frame to reinforce the concrete.



Fit the bolts into the anchoring plate and tighten them using the nuts. Remove the pre-shaped clamps using a screw driver or pliers. Fit the plate into the iron cage. Careful! The tubes must pass through their corresponding holes.

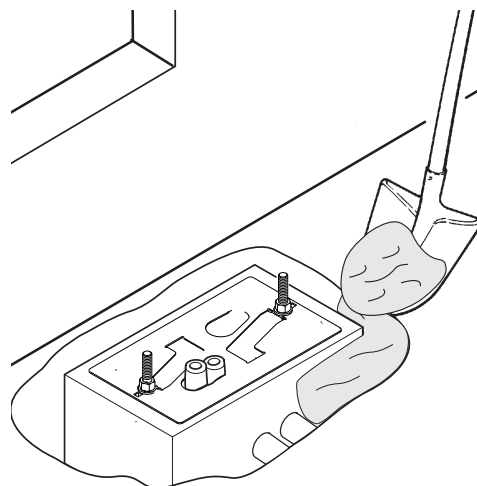
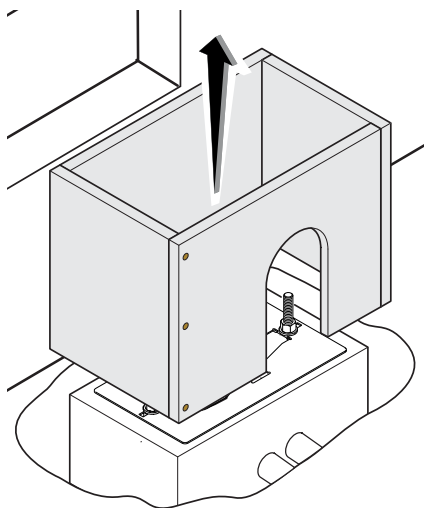


If the rack is already there, place the anchoring plate, being careful to respect the measurements shown in the drawing. Fill the foundation frame with concrete. The plate must be perfectly level with the bolts which are entirely above surface. Wait at least 24 hrs for the concrete to solidify.

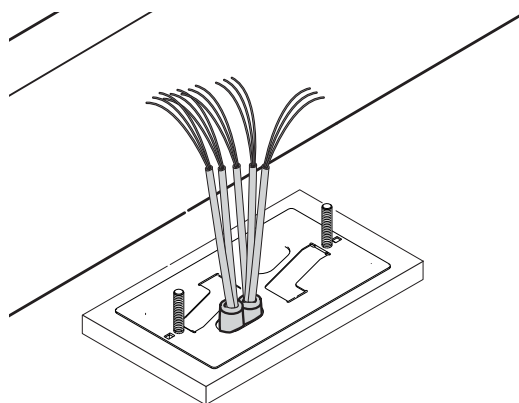
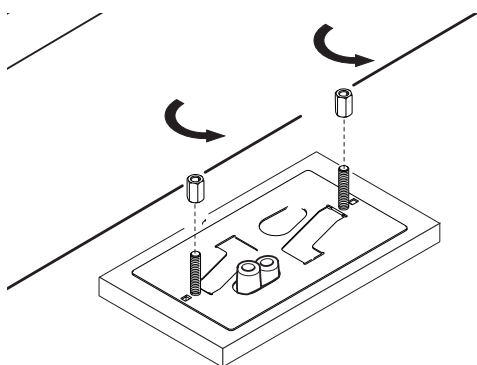




Remove the foundation frame and fill the hole with earth around the concrete block.

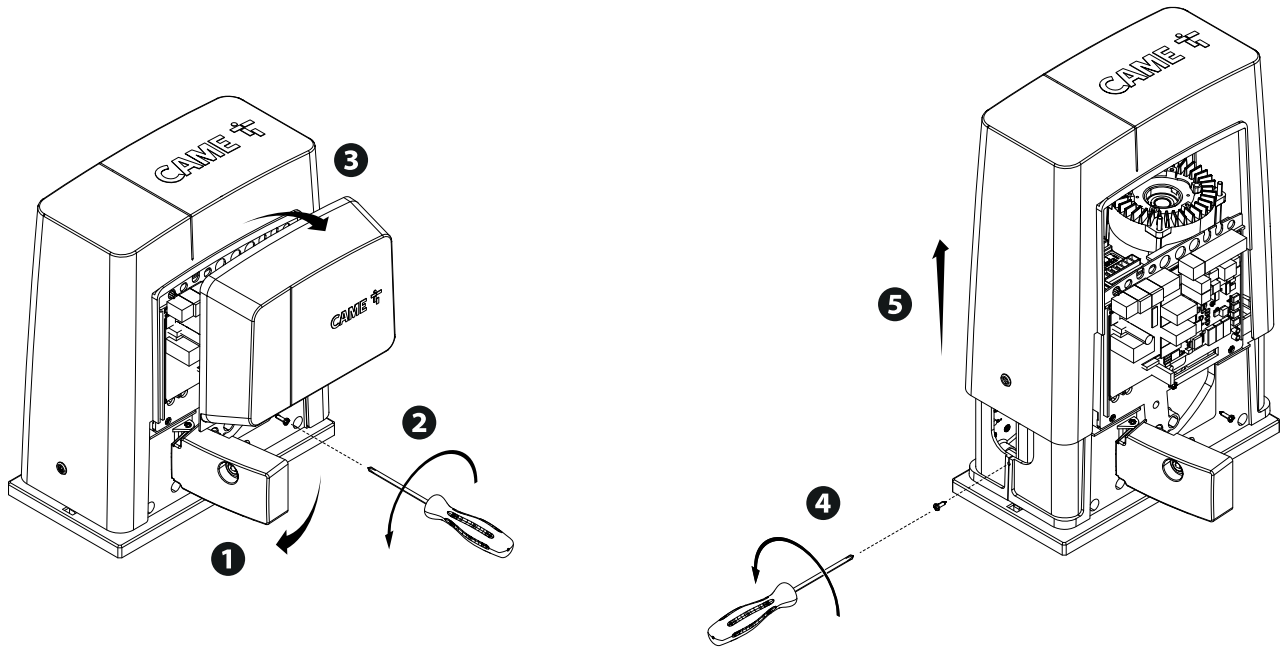


Remove the nuts from the bolts.  
Fit the electric cables into the tubes so that they come out about 600 mm.



## SETTING UP THE OPERATOR

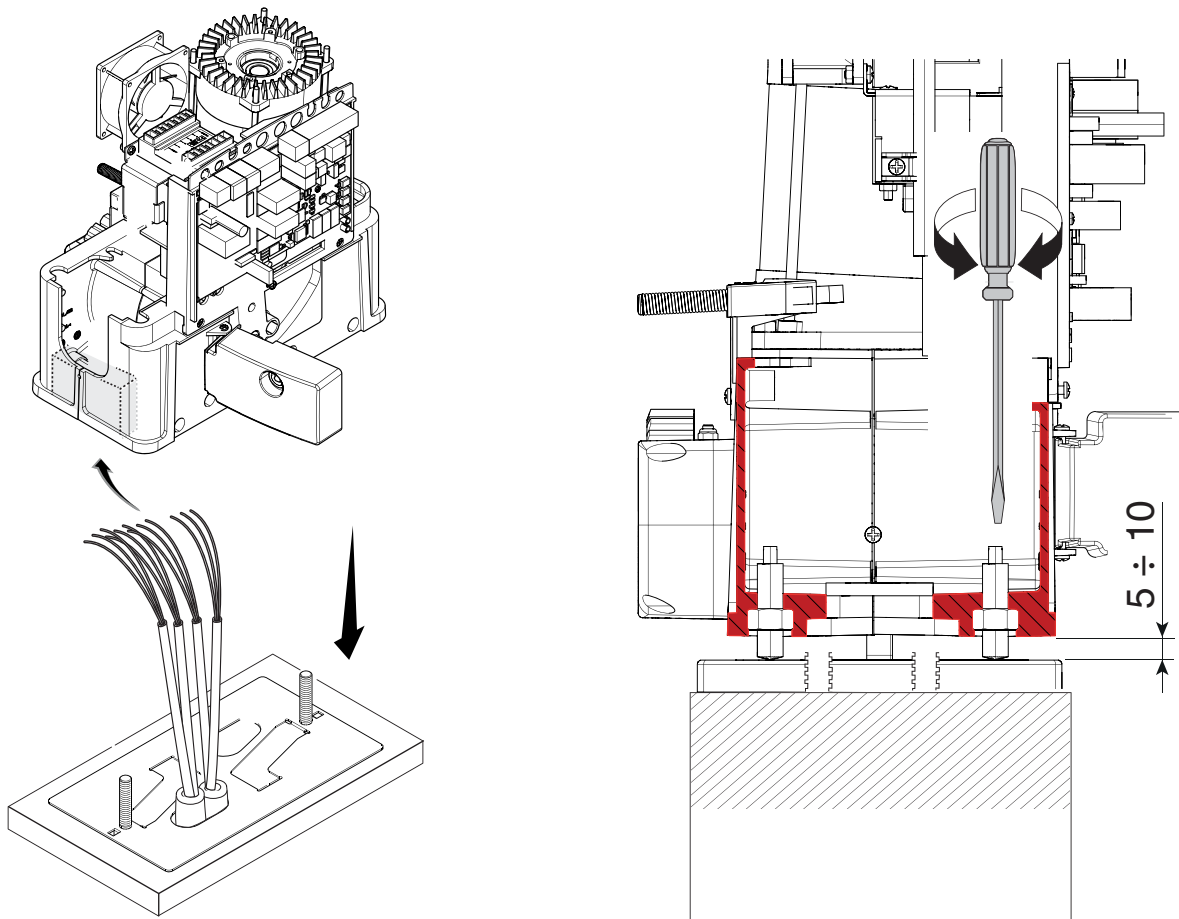
Remove the front cover and the operator casing.



Place the operator on top of the anchoring plate.

Caution! The electric cables must pass under the gearmotor casing and must not touch any parts that may overheat during use, such as the motor or the transformer, and so on).

Lift the gearmotor by 5 to 10 mm from the plate by adjusting the threaded steel feet to allow any subsequent adjustments between pinion and rack.

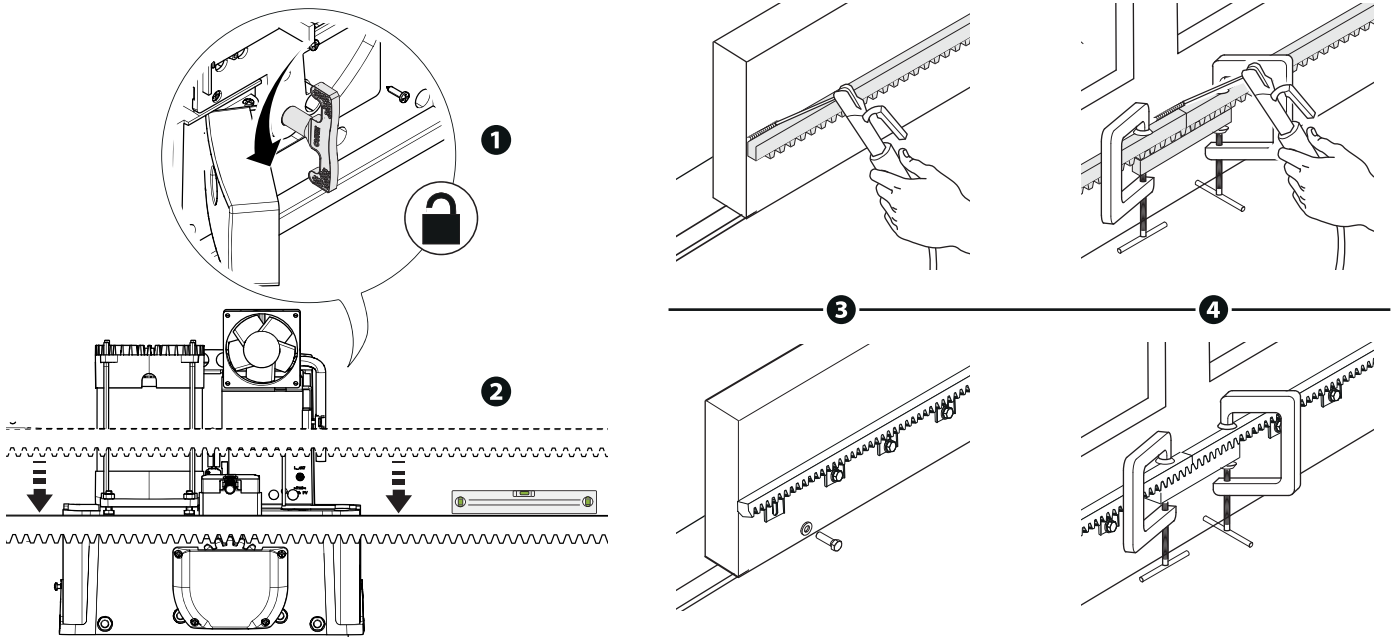


## FASTENING THE RACK

If the rack is already set up, the next step should be to adjust the rack-and-pinion coupling distance, otherwise, fasten it:

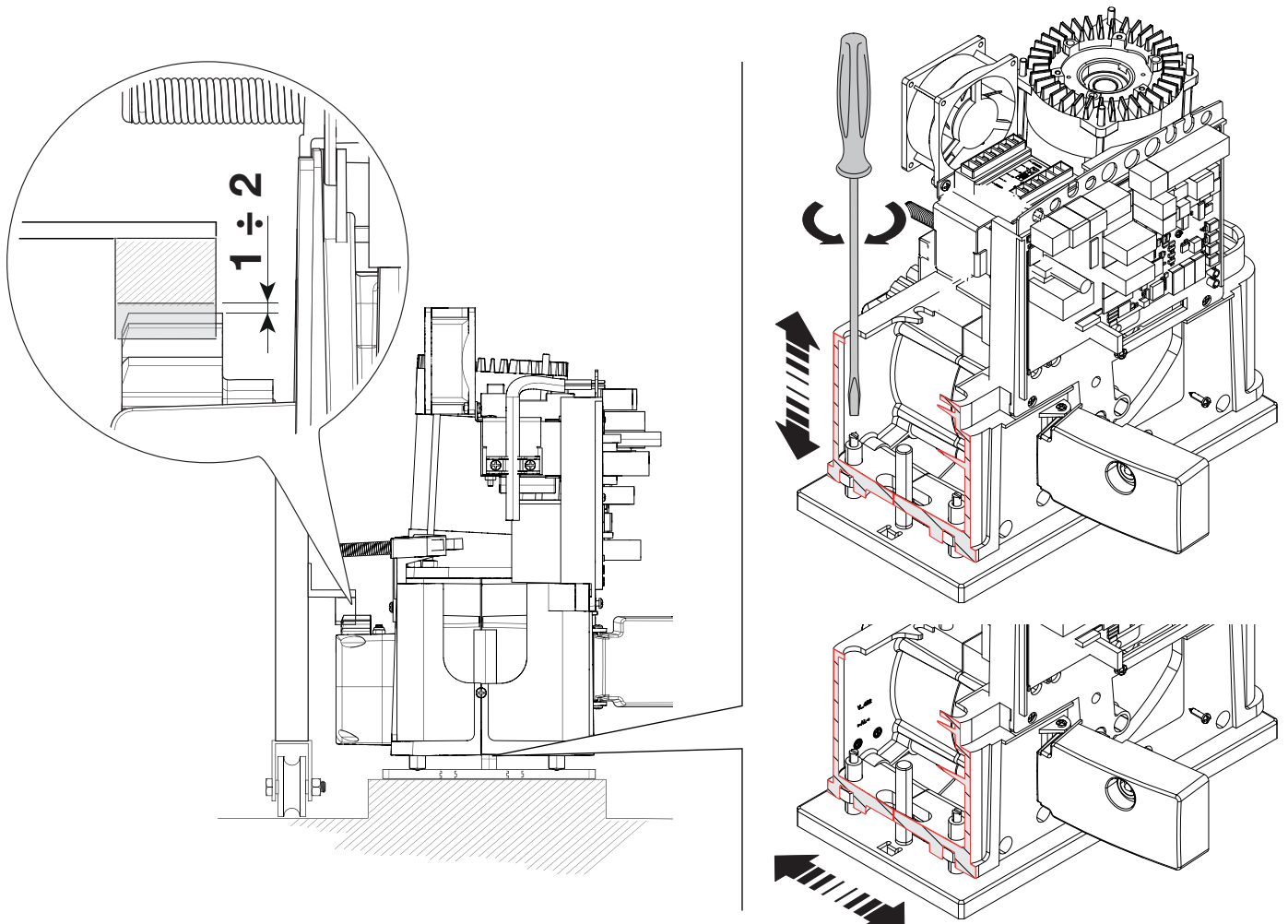
- release the operator;
- rest the rack above the operator pinion;
- weld or fasten the rack to the gate along its entire length.

To assemble the rack modules, use an extra piece and rest it under the joint, then fasten it using two clamps.



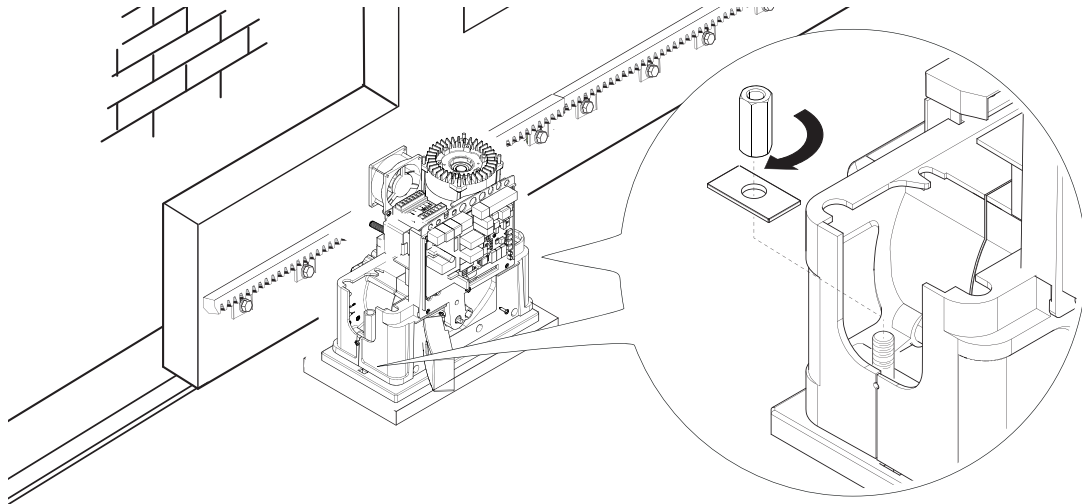
## ADJUSTING THE PINION-RACK PAIRING

Manually open and close the gate and adjust the pinion-rack coupling distance using the threaded feet (vertical adjustment) and the holes (horizontal adjustment). This prevents the gate's weight from bearing down on the operator.



## FASTENING THE OPERATOR

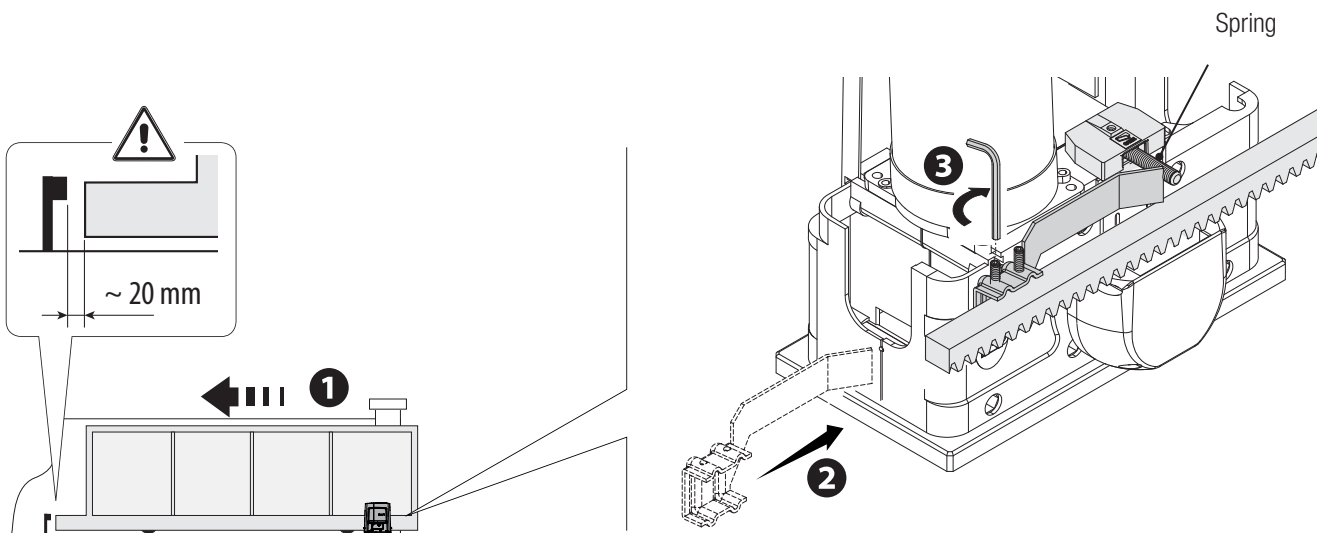
Once adjusting is complete, fasten the gearmotor to the plate using the plates and nuts.



## ESTABLISHING THE LIMIT-SWITCH POINTS

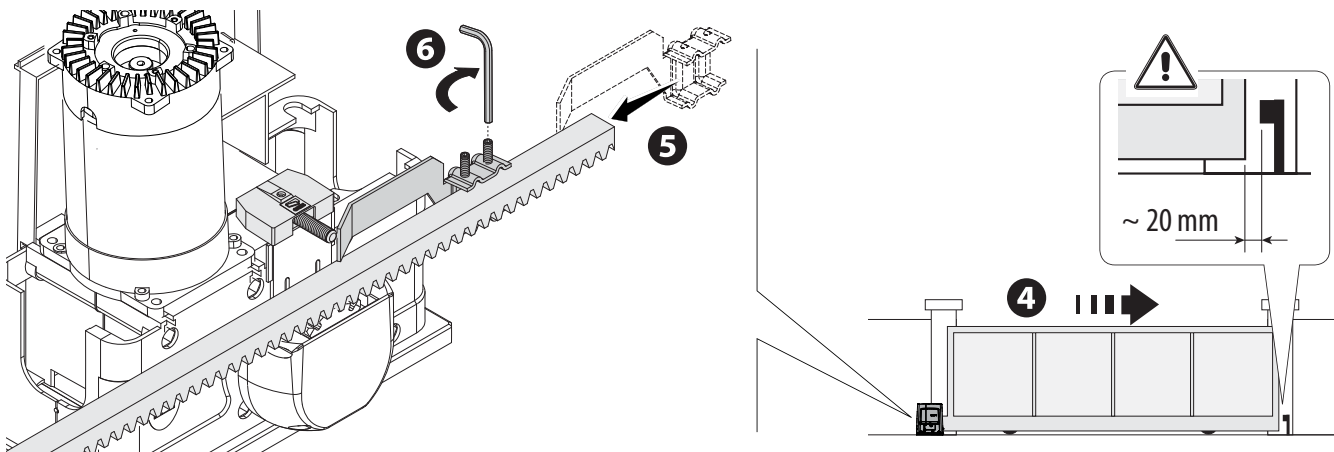
### For opening:

- open the gate; ❶
- fit the opening limit-switch tab onto the rack until the micro switch activates (spring) and fasten it using the grub screws. ❷ ❸



### For closing:

- close the gate; ❹
- fit the closing limit-switch tab into the rack until the micro-switch is activated (spring) and fasten it using the grub screws. ❺ ❻



## CONTROL BOARD

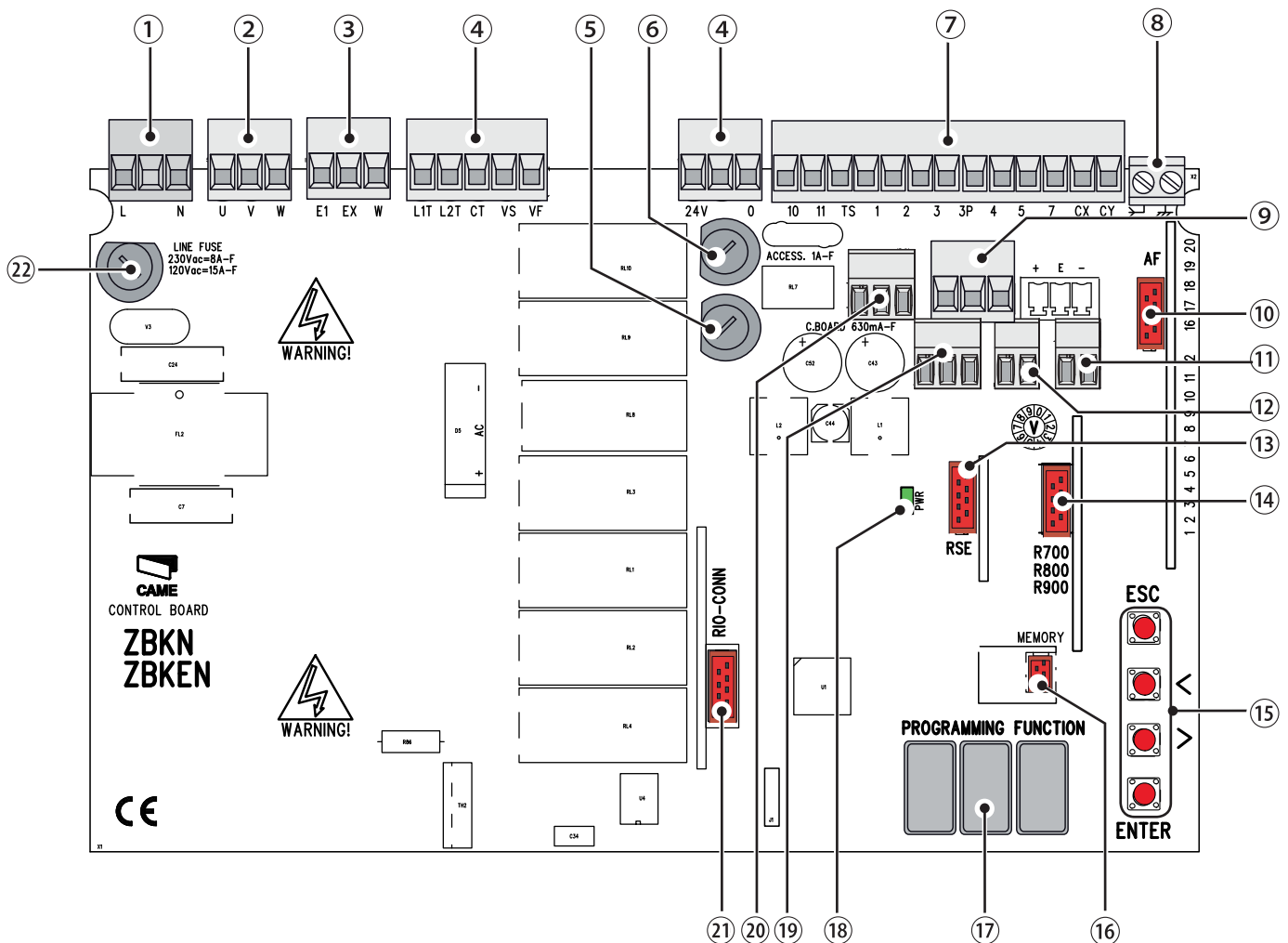
⚠ Caution! Before doing any work on the control board, cut off the mains power supply, and disconnect any batteries.

The functions available on the input and output contacts, the time adjustments and user management are all set and viewable on the segmented graphic display.

Fuses	ZBKN
LINE - Line	8 A-F (230 V AC) 15 A-F (120 V AC)
C.BOARD - Card	630 mA-F
ACCESSORIES - Accessories	1 A-F

## DESCRIPTION OF PARTS

- |  |  |
|--|--|
| 1. Power supply terminals                    | 12. Keypad selector terminal               |
| 2. Gear motor terminals                      | 13. RSE card slot                          |
| 3. Terminals for signaling devices           | 14. Connector for the R700/R800/R900 card  |
| 4. Transformer terminals                     | 15. Programming buttons                    |
| 5. Control-board fuse                        | 16. Memory roll card slot                  |
| 6. Accessories fuse                          | 17. Display                                |
| 7. Terminals for control and safety devices  | 18. Power supply on warning LED            |
| 8. Antenna terminal                          | 19. Terminals for paired of CRP connection |
| 9. Terminals for limit-switch micro-switches | 20. Terminals for the RGP1 module          |
| 10. AF card slot                             | 21. Connector for the RIO-CONN card        |
| 11. Terminals for transponder selector       | 22. Line fuse                              |



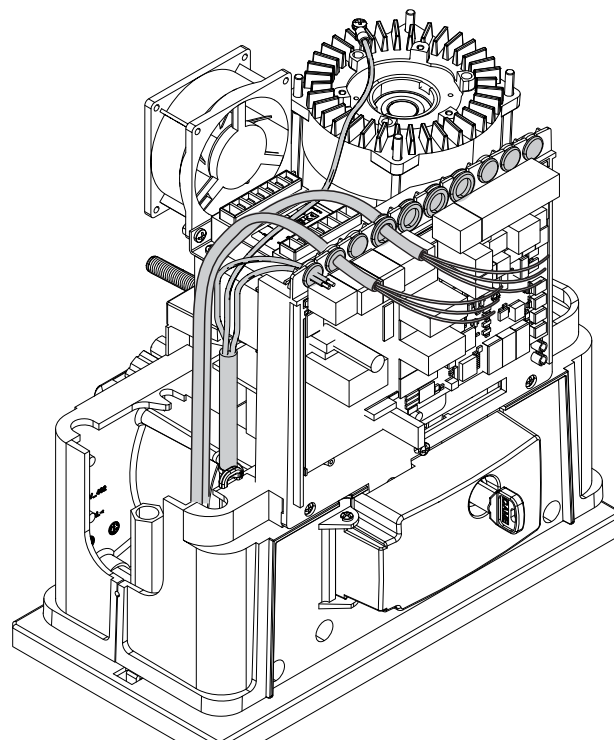
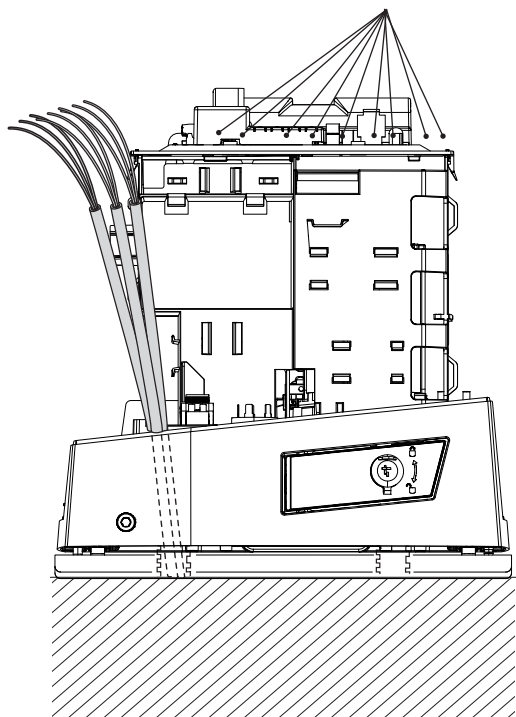
## ELECTRICAL CONNECTIONS

⚠ Connect all wires and cables in compliance with the law.

Before connecting all the wires, set up the cables by using cable glands on the control board brace, as shown in the figure.

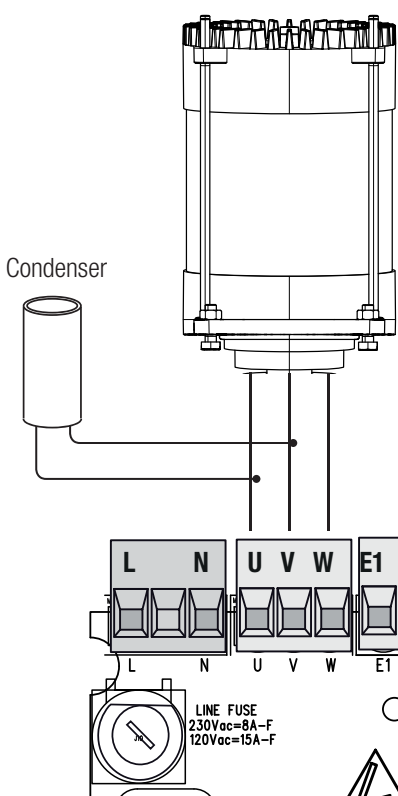
The electrical cables must not touch any heated parts such as the motor, transformer, and so on.

Control-board brace cable glands

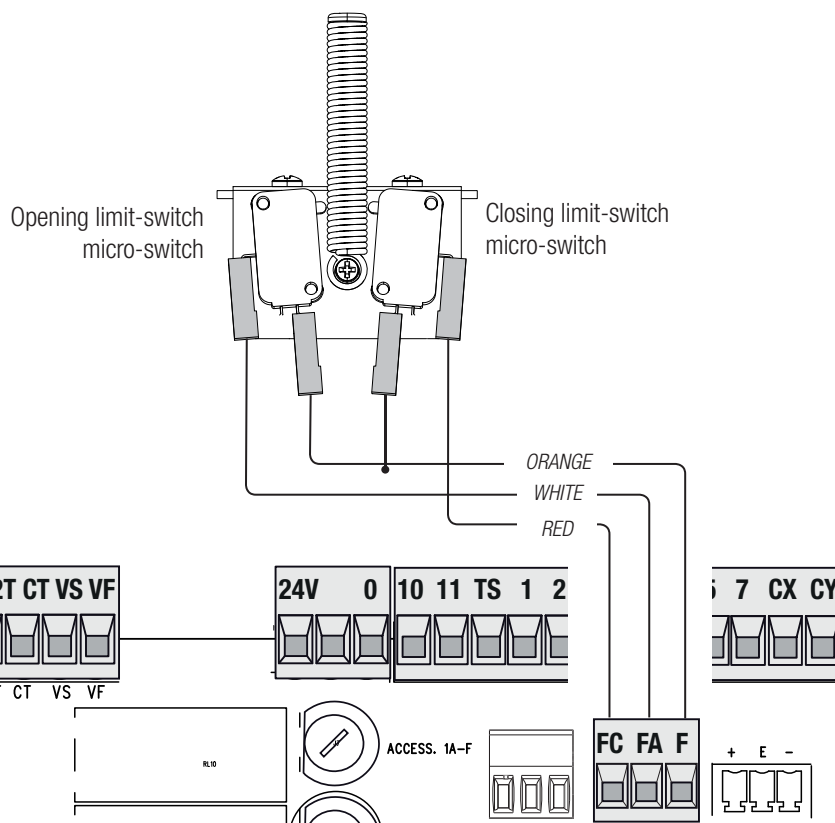


## FACTORY WIRING

120/230V (AC) gear motor

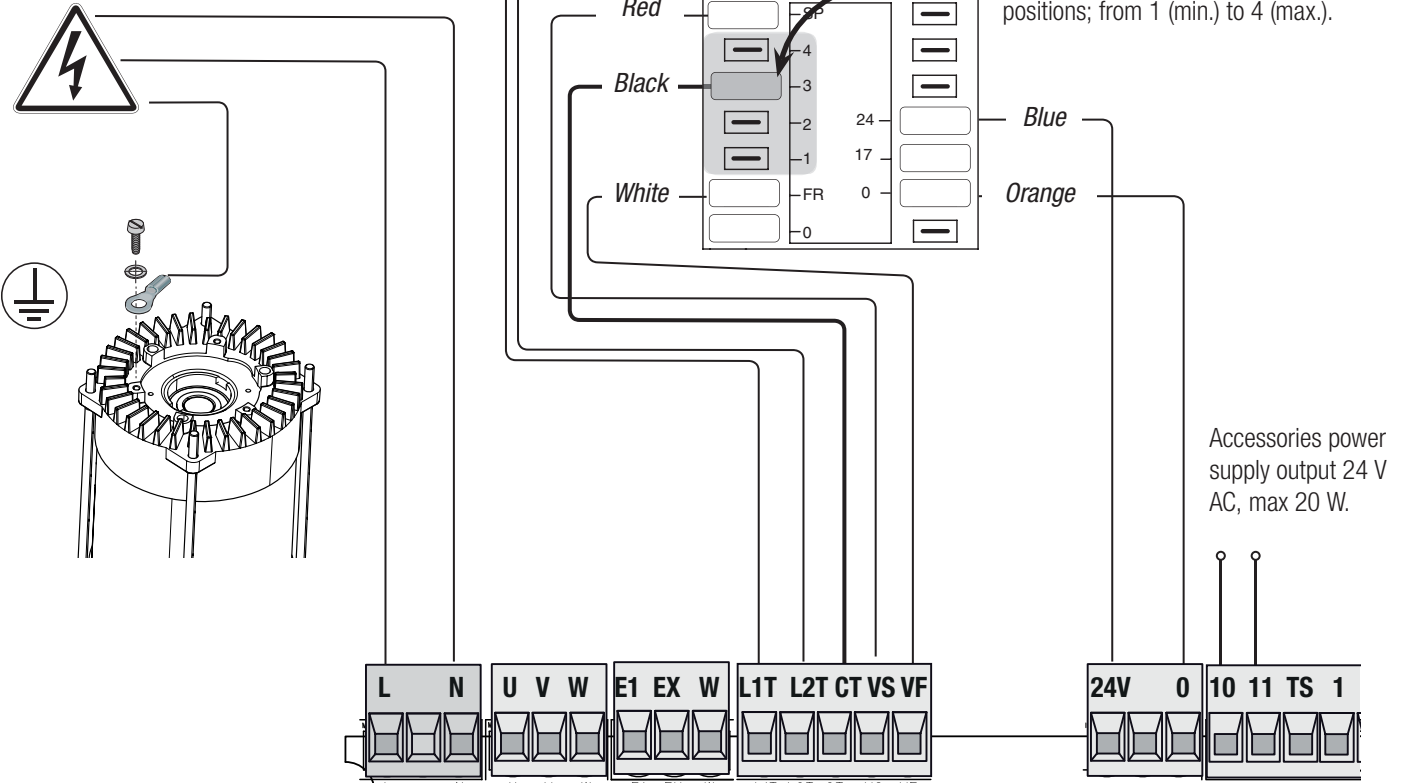


Mechanical limit switch



## POWER SUPPLY

120 / 230 V AC 50/60 Hz

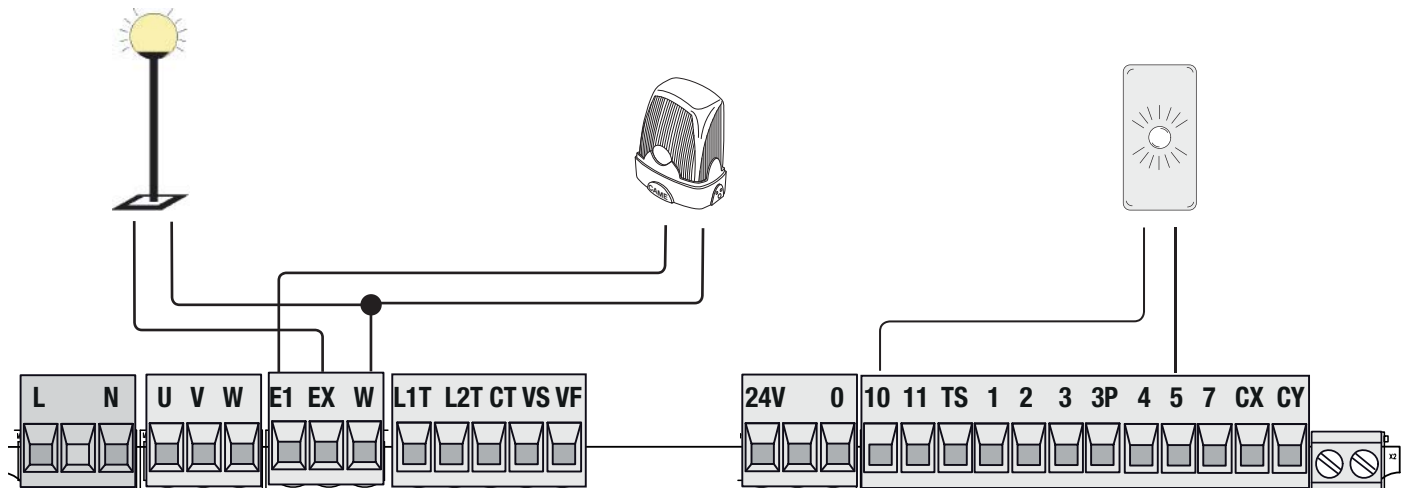


## SIGNALING DEVICES

Additional light connection output (contact rated at: 230 V - 60 W max).  
See function **F18**.

Flashing light connection output (contact rated at: 230 V AC - 25 W max).

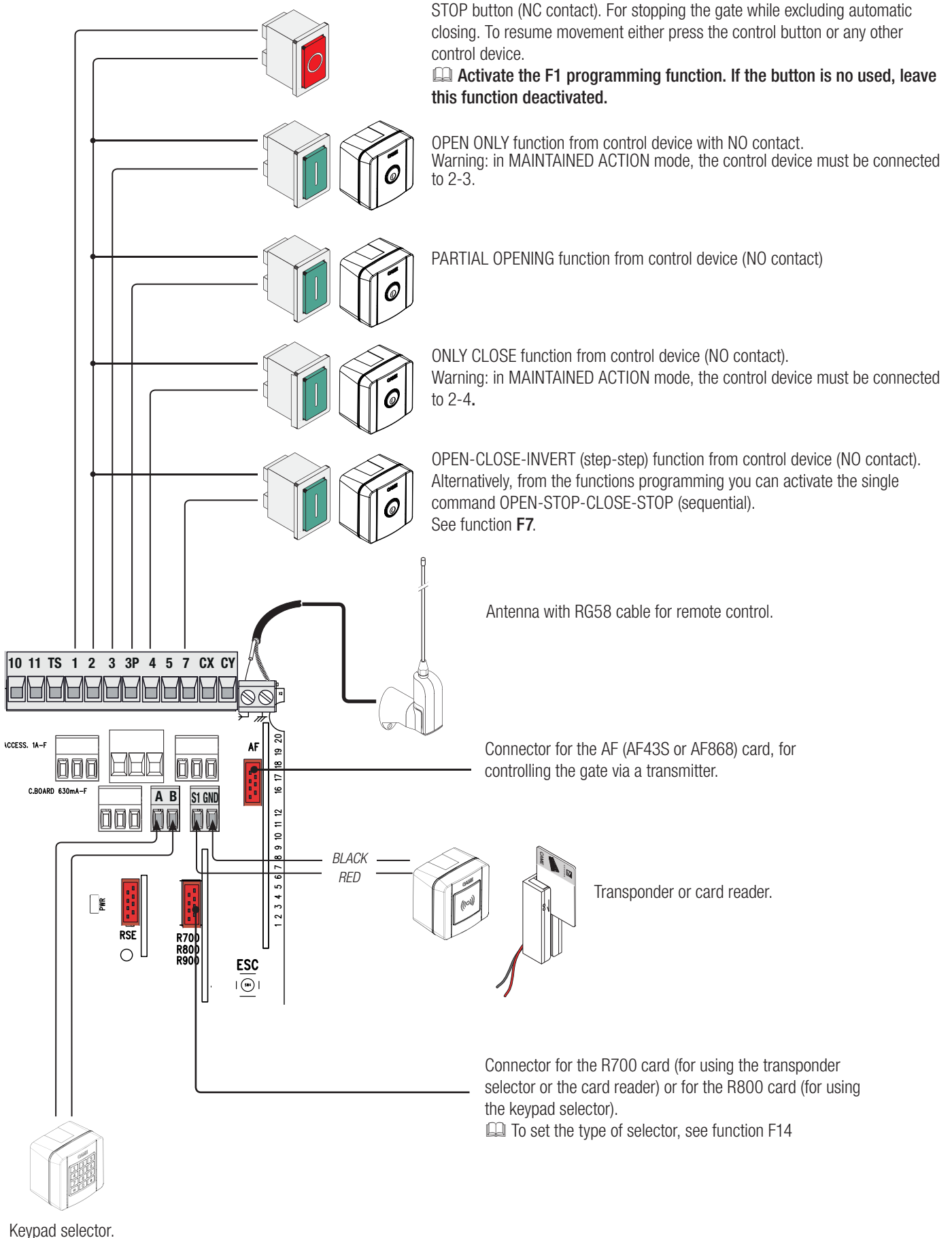
Gate state warning output (contact rated for 24 V AC - 3 W max.).  
See function **F10**.





## CONTROL DEVICES

**WARNING!** For the system to work properly, before fitting any snap-in card (e.g. the AF R800), you **MUST CUT OFF THE MAIN POWER SUPPLY** and remove any batteries.




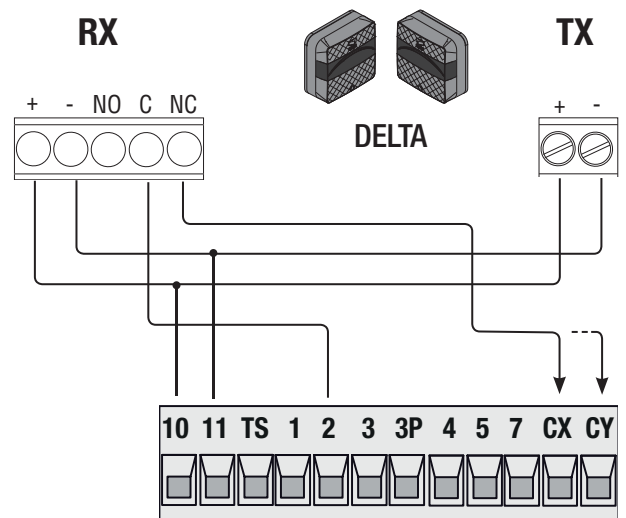
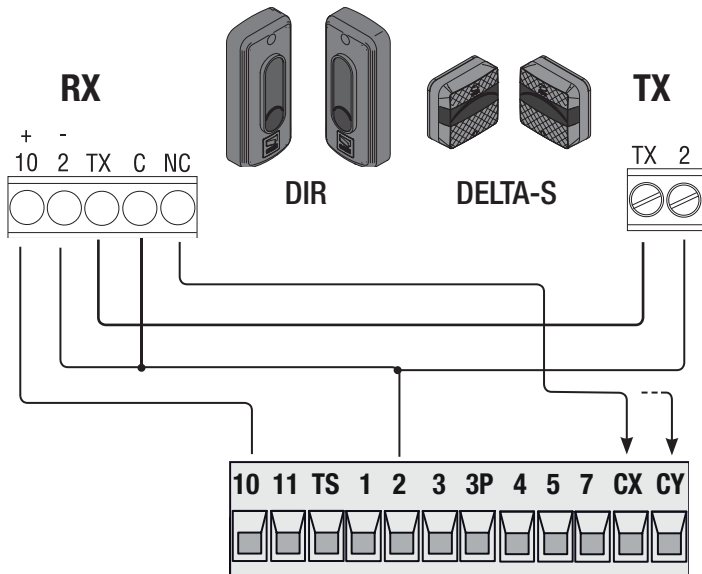
**Photocells**

Configure contact CX or CY (NC), safety input for photocells.

See **F2** (input CX) or **F3** (input CY) in:

- C1 reopening during closing. When the gate is closing, opening the contact triggers the inversion of movement until the gate is fully open again;
- C2 closing during opening. When the gate is opening, opening the contact triggers the inversion of movement until the gate is completely closed.
- C3 partial stop. Stopping of the gate, if it is moving, with consequent automatic closing (if the automatic closing function has been entered);
- C4 obstruction wait. Stopping of the gate, if it is moving, which resumes movement once the obstruction is removed.

 If contacts CX and CY are not used they should be deactivated during programming.

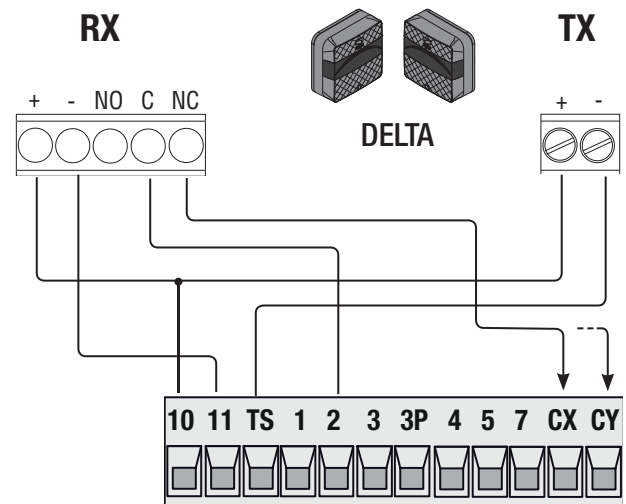
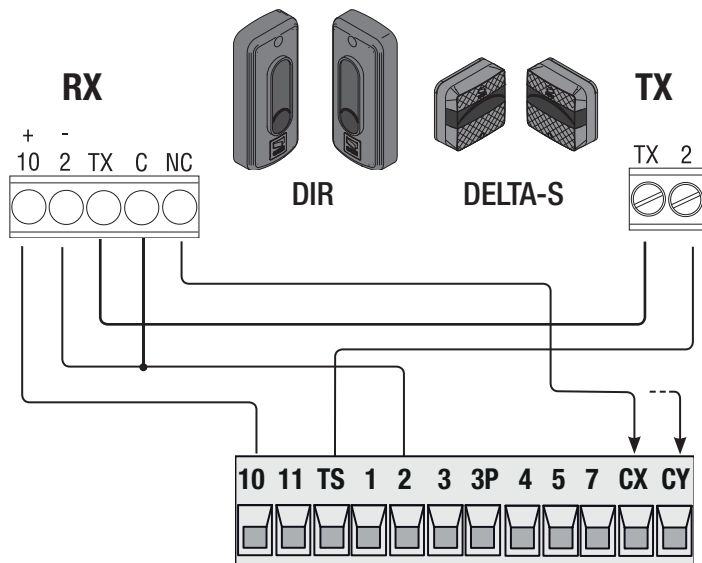


**Photocells (safety test)**

At each opening and closing command, the control board checks the efficacy of the safety devices (such as, photocells).

Any malfunction inhibits any command and the display will show the Er4 wording.

Enable function F5 in programming.



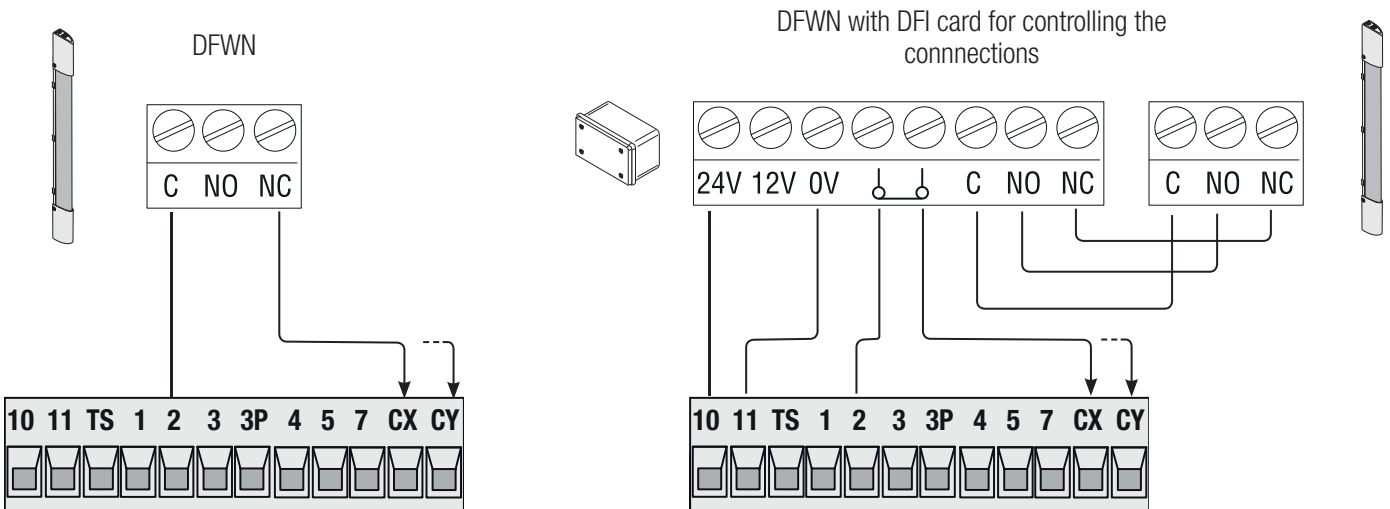
## Sensitive Safety Edges

Configure contact CX or CY (NC), safety input for sensitive safety-edges.

See **F2** (input CX) or **F3** (input CY) in:

- C7 (sensitive safety edges with clean contact) or r7 (sensitive safety edges with 8K2 resistance), reopening during closing. When the gate is closing, opening the contact triggers the inversion of movement until the gate is fully open again;
- C8 (sensitive safety edges with clean contact) or r8 (sensitive safety edge with 8K2 resistance), reclosing during opening. When the gate is opening, opening the contact triggers the inversion of movement until the gate is completely closed.

If unused, contacts CX and CY should be deactivated during programming.



## RIO WIRELESS DEVICES

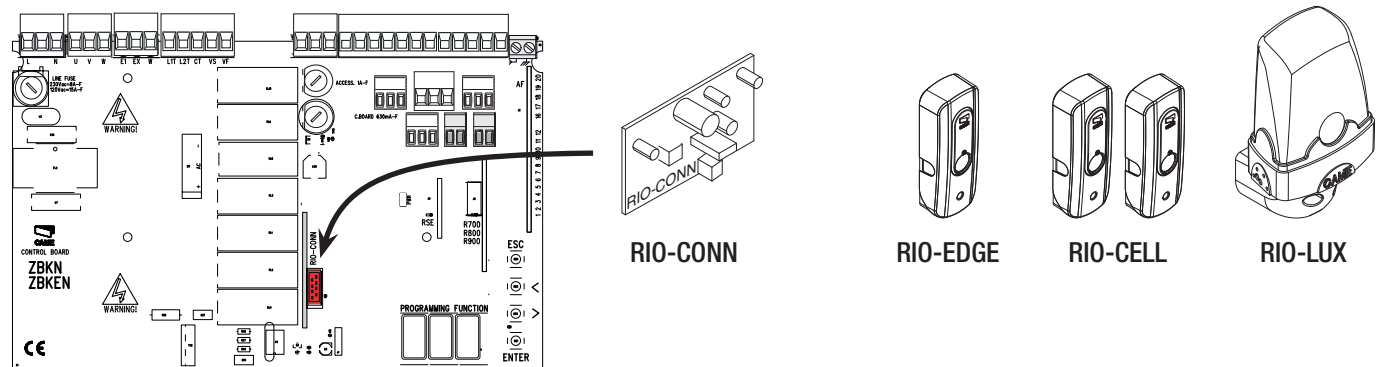
Fit the RIO-CONN card into the corresponding connector on the control board.

Set the function to associate to the wireless device (**F65**, **F66**, **F67** and **F68**).

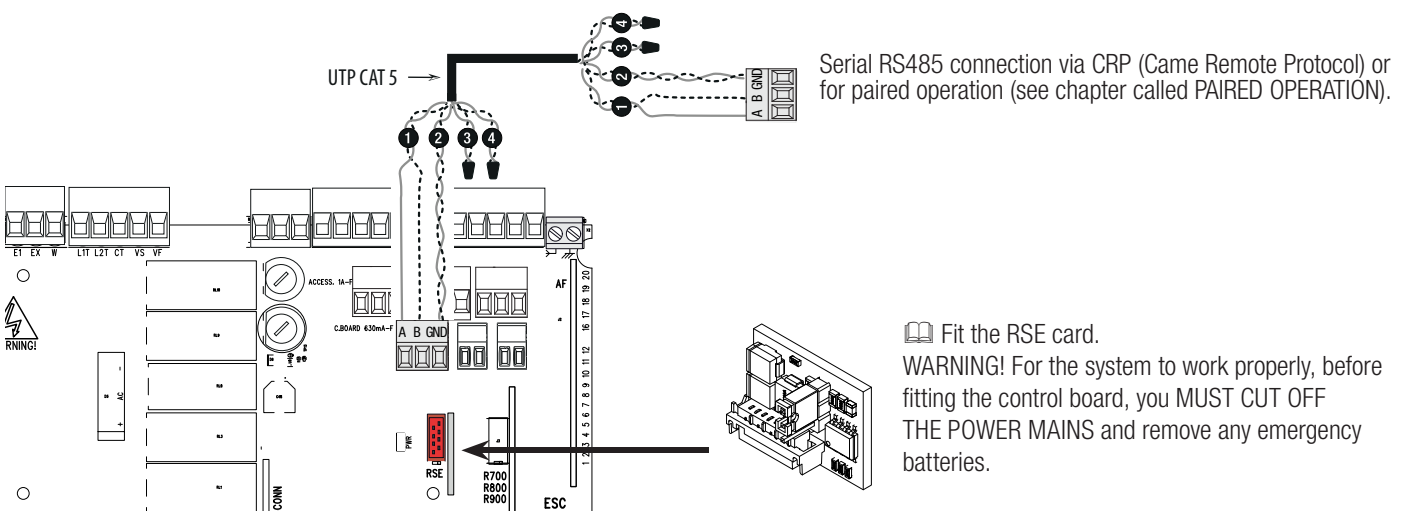
Configure the RIO-EDGE, RIO-CELL and RIO-LUX wireless devices by following the indications shown in the folder enclosed with each accessory.

If the devices are not configured with the RIO-CONN card, the E18 error message **appears on the display**.

If there are any radio-frequency disturbances to the system, the wireless system will inhibit the normal operation of the **operator**, and this error will show up on the display as E17.

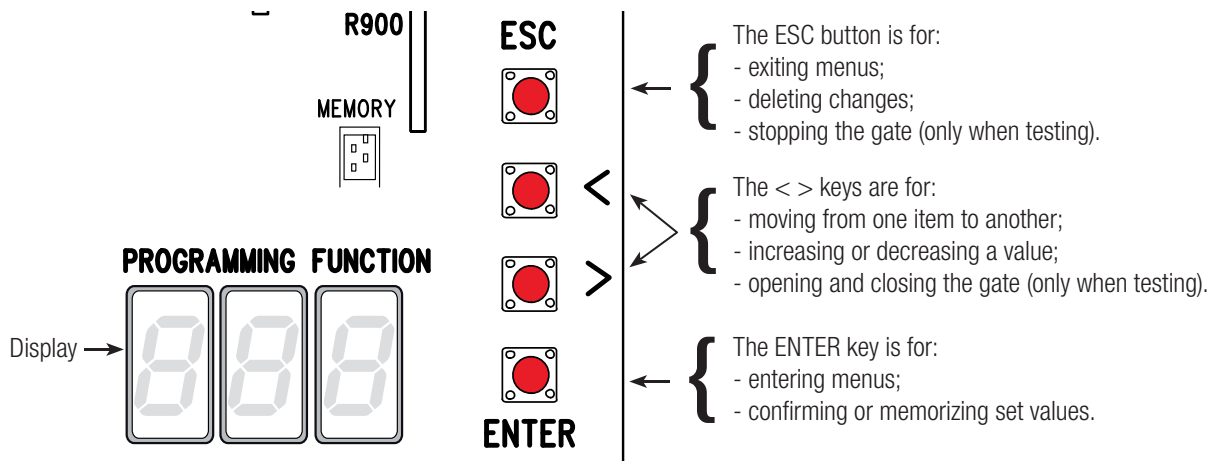


## PAIRED OPERATION OR CRP (CAME REMOTE PROTOCOL)

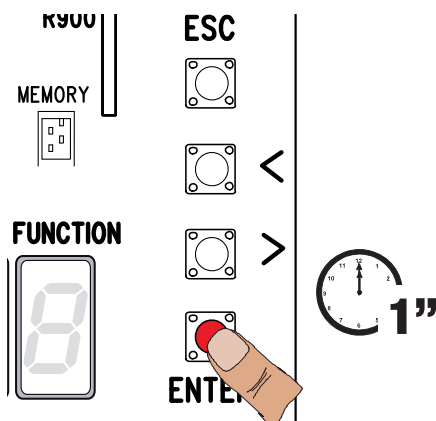


## PROGRAMMING

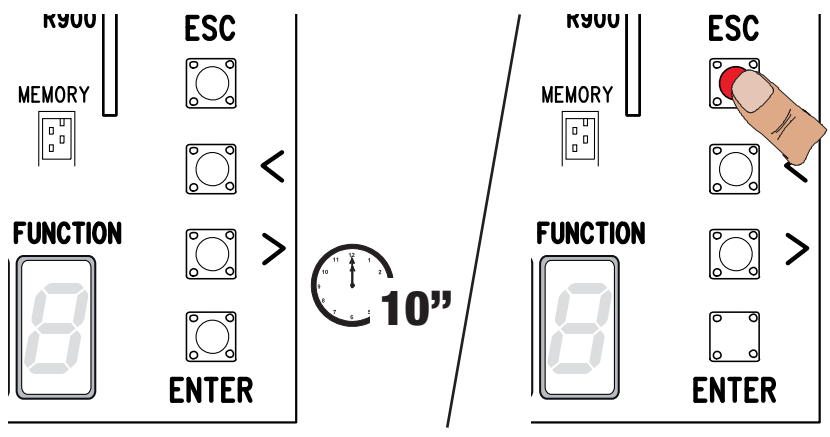
### DESCRIPTION OF THE COMMANDS



To enter the menu, keep the ENTER button pressed for at least one second.




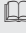


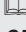
To exit the menu, wait 10 seconds or press ESC.



### FUNCTIONS MENU

⚠ When programming, the operator needs to be in stop mode.

<b>F1</b>	<b>Total stop [1-2]</b>	NC input – Gate stop that excludes any automatic closing; to resume movement, use the control device. The safety device is inserted into (1-2). If unused, select 0. <b>OFF (default) / ON</b>
<b>F2</b>	<b>Input [2-CX]</b>	NCinput – Can associate: C1 = reopening during closing by photocells, C2 = reclosing during opening by photocells, C3 = partial stop, C4 = obstruction wait, C7 = reopening during closing by sensitive safety-edges (with clean contact), C8 = reclosing during opening by sensitive safety-edges (with clean contact), r7 = reopening during closing for sensitive safety edges (8K2 resistive input), - r8 = reclosing during opening for sensitive safety edges (8K2 resistive input). 📖 The C3 Partial stop function only appears if the F 19 Automatic closing time function is activated. <b>OFF (default) / 1=C1 / 2=C2 / 3=C3 / 4=C4 / 7=C7 / 8=C8 / r7=r7 / r8=r8</b>
<b>F3</b>	<b>Input [2-CY]</b>	NC input – Can associate: C1 = reopening during closing by photocells, C2 = reclosing during opening by photocells, C3 = partial stop, C4 = obstruction wait, C7 = reopening during closing by sensitive safety-edges (with clean contact), C8 = reclosing during opening by sensitive safety-edges (with clean contact), r7 = reopening during closing for sensitive safety edges (8K2 resistive input), - r8 = reclosing during opening for sensitive safety edges (8K2 resistive input). 📖 The C3 Partial stop function only appears if the F 19 Automatic closing time function is activated. <b>OFF (default) / 1=C1 / 2=C2 / 3=C3 / 4=C4 / 7=C7 / 8=C8 / r7=r7 / r8=r8</b>

F5	Safety test	<p>After every opening or closing command, the board will check whether the photocells are working properly.</p> <p> The safety test is always active for wireless devices.</p> <p> <b>This function only appears if the photocells have been enabled.</b></p> <p><i>0 = Deactivated (default) / 1=CX / 2=CY / 4=CX+CY</i></p>
F6	Maintained action	<p>The gate opens and closes by keeping the button pressed. Opening button on contact 2-3P and closing button on contact 2-7. All other control devices, even radio-based ones, are excluded.</p> <p><i>OFF (default) / ON</i></p>
F7	Command [2-7]	<p>From the control device connected to 2-7 it performs the step-step (open-close-invert) or sequential (open-stop-close-stop) command.</p> <p><i>0 = Step-step (default) / 1 = Sequential</i></p>
F9	Obstruction detection with motor stopped	<p>With the gate closed, opened or totally stopped, the gearmotor stays idle if the safety devices, that is, photocells or sensitive safety-edges detect an obstruction.</p> <p><i>OFF (default) / ON</i></p>
F10	Gate state warning output	<p>It signals the gate status. The signal device is connected to contact 10-5.</p> <p><i>0 = Lit when gate is open or moving (default) / 1 = when opening it flashes intermittently every half-second, when closing it flashes intermittently every second, stays lit when gate is open, is off when gate is closed.</i></p>
F14	Sensor type	<p>Setting the type of accessory for controlling the operator.</p> <p><i>0 = command with transponder sensor or magnetic card reader / 1 = command with keypad selector (default)</i></p>
F18	Additional light	<p>Output for connecting the additional light onto 10-EX: Outdoor light for additional visibility in the drive way. Cycle light that stays lit from the moment the gate starts opening until it completely closes, including the automatic closing waiting time. Courtesy light that stays on for an adjustable time of between 60 and 180 seconds. To set the time, see function F25.</p> <p><i>OFF (default) / 1 = Cycle / 2 = Courtesy</i></p>
F19	Automatic Closing Time	<p>The automatic-closing wait starts when the opening limit switch point is reached and can be set to between 1 and 180 seconds. The automatic closing does not work if any of the safety devices trigger when an obstruction is detected, or after a total stop, or during a power outage.</p> <p><i>OFF (default) / 1 = 1 second /... / 180 = 180 seconds</i></p>
F20	Automatic closing time after partial opening	<p>The wait before the automatic closing starts after a partial opening command for a time of between 1 s and 180 s. The automatic closing does not work if any of the safety devices trigger when an obstruction is detected, or after a total stop, or during a power outage.</p> <p><i>OFF / 1 = 1 second /... / 10 = 10 seconds (default) / 180 = 180 seconds</i></p>
F21	Pre-flashing time	<p>Adjusting the pre-flashing time for the flashing light connected to E1-W, before each maneuver. The flashing time is adjustable from one to ten seconds.</p> <p><i>OFF (default) / 1 = 1 second /... / 10 = 10 seconds</i></p>
F25	Courtesy light time	<p>Additional (courtesy) light, stays lit for the necessary time while the gate is opening and closing. It can be set to between 60 and 180 seconds.</p> <p><i>60 = 60 seconds (default)/... / 180 = 180 seconds</i></p>
F49	Managing the serial connection	<p>To enable the paired operating mode or the CRP (Came Remote Protocol).</p> <p><i>OFF (default) / 1 = Paired / 3 = CRP</i></p>
F50	Saving data	<p>Saving memorized users and settings in the memory roll.</p> <p> This function only appears if a memory roll has been fitted into the control board.</p> <p><i>OFF (default) / ON</i></p>
F51	Reading of data	<p>Uploading data saved in memory roll.</p> <p> This function only appears if a memory roll has been fitted into the control board.</p> <p><i>OFF (default) / ON</i></p>
F52	Transferring parameters in paired/alternate mode	<p>Uploading settings from Master to Slave.</p> <p> This appears only if function F49 is set to PAIRED.</p> <p><i>OFF (default) / ON</i></p>
F54	Openingdirection	<p>For setting the gate opening direction.</p> <p><i>0 = Opening left (default) / 1 = Opening right</i></p>

F56	Peripheral number	To set the peripheral number from 1 to 255 for each control board when a system is fitted with several operators and features the CRP (Came Remote Protocol) connection system. <b>1 ----&gt; 255</b>
F63	COM speed	For setting the communication speed used in the CRP (Came Remote Protocol) connection system. <b>0 = 1200 Baud / 1 = 2400 Baud / 2 = 4800 Baud / 3 = 9600 Baud / 4 = 14400 Baud / 5 = 19200 Baud / 6 = 38400 Baud (default) / 7 = 57600 Baud / 8 = 115200 Baud</b>
F65	Wireless input RIO-EDGE [T1]	RIO-EDGE wireless safety device associated to a function of choice among those available: P0= stop gate and exclude any automatic closing; to resume movement, use the control device, P7 = reopening during closing, P8 = reclosing during opening. For programming, see the instructions that come with the accessory. This function only appears is the control board has been fitted with a RIO-CONN card. <b>OFF (default) / P0 = P0 / P7 = P7 / P8 = P8</b>
F66	Wireless input RIO-EDGE [T2]	RIO-EDGE wireless safety device associated to a function of choice among those available: P0= stop gate and exclude any automatic closing; to resume movement, use the control device, P7 = reopening during closing, P8 = reclosing during opening. For programming, see the instructions that come with the accessory. This function only appears is the control board has been fitted with a RIO-CONN card. <b>OFF (default) / P0 = P0 / P7 = P7 / P8 = P8</b>
F67	Wireless input RIO-CELL [T1]	RIO-CELL is associated to any function chosen among those available: P1 = reopening during closing; P2 = reclosing during opening; P3 = partial stop; P4 = obstruction wait. For programming, see the instructions that come with the accessory. This function only appears is the control board has been fitted with a RIO-CONN card. <b>OFF (default) / P1 = P1 / P2 = P2 / P3 = P3 / P4 = P4</b>
F68	Wireless input RIO-CELL [T2]	RIO-CELL is associated to any function chosen among those available: P1 = reopening during closing; P2 = reclosing during opening; P3 = partial stop; P4 = obstruction wait. For programming, see the instructions that come with the accessory. This function only appears is the control board has been fitted with a RIO-CONN card. <b>OFF (default) / P1 = P1 / P2 = P2 / P3 = P3 / P4 = P4</b>
F71	Partial opening time	After an opening command from the button connected to 2-3P, the gate opens for an adjustable time of between five seconds and 40 seconds. This function only appears is the Encoder function is deactivated. <b>5 = 5 Seconds (default) /... / 40 = 40 Seconds</b>
U1	Entering users	Entering up to 250 users and associating to each one a function of choice among those included. Use a transmitter or other control device to enter the data (see paragraph called ENTERING A USER WITH AN ASSOCIATED COMMAND). <b>1 = Step-step command (open-close) / 2 = Sequential command (open-stop-close-stop) / 3 = Open only command / 4 = Partial opening command</b>
U2	Deleting users	Deleting single users (see paragraph called DELETING SINGLE USERS)
U3	Deleting users	Deleting all users. <b>0 = Deactivated (default) / 1 = Delete</b>
U4	Decoding the code	Select the type of transmitter radio coding that you wish to save on the control board. When you select a radio coding, all saved transmitter are automatically deleted. TWIN's coding lets you save multiple users with the same key (Key block). <b>1 = all (default) / 2 = Rolling Code / 3 = TWIN</b>
A4	Resetting parameters	Caution! The default settings will be restored. <b>OFF (default) / ON</b>
A5	Maneuver count	For viewing the number of maneuvers made by the gate.
H1	Version	View the firmware version.

## COMMISSIONING

Once the electrical connections are done, have only skilled, qualified staff commission the operator into service.

Before continuing, make sure the area is free of any obstructions, and that there are mechanical, opening and closing gate stops in place.

Power up and begin configuring the system. **Important!** Start programming by first doing the following functions: F54 (opening direction) and F1 (Total Stop). Once the programming is done, verify that the operator and all the accessories are working properly. Use the < > keys to open and close the gate and ESC to stop it.

△ After powering up the system, the first maneuver is always the opening. In this phase, the gate cannot be closed. You will need to wait for the gate to completely open.

△ Immediately press the STOP button if any suspicious malfunctions, noises or vibrations occur in the system.

## MANAGING USERS

📖 When adding and deleting users, the flashing numbers appearing are those numbers that are available and usable to assign to a new user (max. 250 users).

📖 Before registering the users, make sure the AF radio card is plugged into the connector (see the paragraph called CONTROL DEVICES).

### ENTERING USERS WITH AN ASSOCIATED COMMAND

Select **U1**. Press ENTER to confirm. **1**

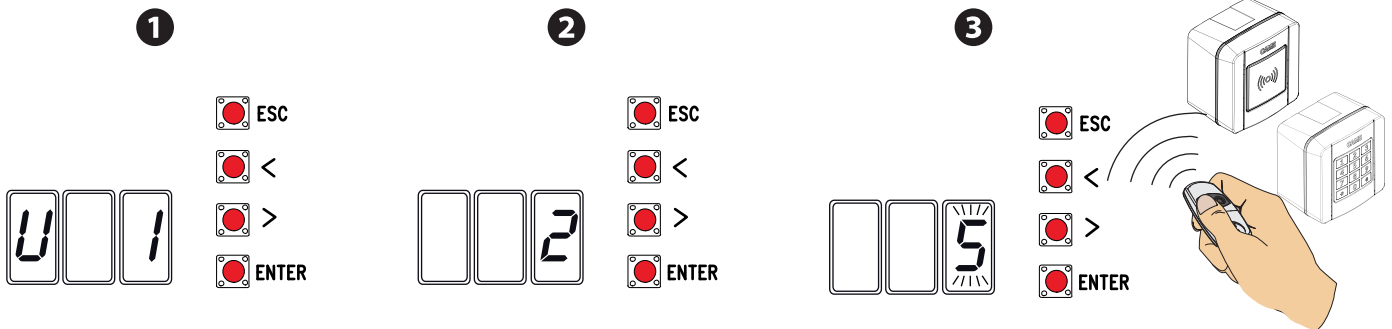
Select a command to associate to the user: The commands are:

- **1** = step-step (open-close);
- **2** = sequential (open-stop-close-stop);
- **3** = only open;
- **4** = partial opening/pedestrian.

Press ENTER to confirm... **2**

... a number from 1 to 25 will blink for a few seconds. Send the code from the transmitter or other control device, such as, a keypad selector or a transponder. **3**

📖 Note down the user entered **into the LIST OF REGISTERED USERS**.



### LIST OF REGISTERED USERS

1		10		19	
2		11		20	
3		12		21	
4		13		22	
5		14		23	
6		15		24	
7		16		25	
8		17		26	
9		18		27	



28	74	120
29	75	121
30	76	122
31	77	123
32	78	124
33	79	125
34	80	126
35	81	127
36	82	128
37	83	129
38	84	130
39	85	131
40	86	132
41	87	133
42	88	134
43	89	135
44	90	136
45	91	137
46	92	138
47	93	139
48	94	140
49	95	141
50	96	142
51	97	143
52	98	144
53	99	145
54	100	146
55	101	147
56	102	148
57	103	149
58	104	150
59	105	151
60	106	152
61	107	153
62	108	154
63	109	155
64	110	156
65	111	157
66	112	158
67	113	159
68	114	160
69	115	161
70	116	162
71	117	163
72	118	164
73	119	165

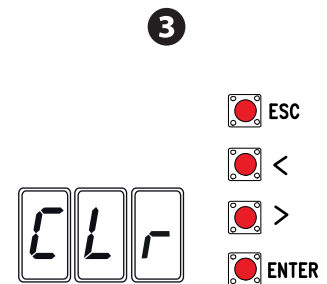
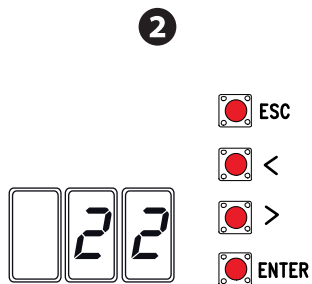
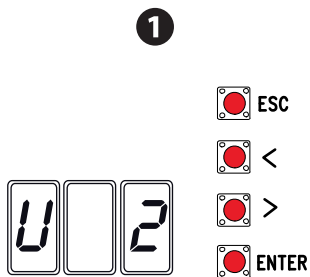
166		195		224	
167		196		225	
168		197		226	
169		198		227	
170		199		228	
171		200		229	
172		201		230	
173		202		231	
174		203		232	
175		204		233	
176		205		234	
177		206		235	
178		207		236	
179		208		237	
180		209		238	
181		210		239	
182		211		240	
183		212		241	
184		213		242	
185		214		243	
186		215		244	
187		216		245	
188		217		246	
189		218		247	
190		219		248	
191		220		249	
192		221		250	
193		222			
194		223			

## DELETING SINGLE USERS

Select **U2**. Press ENTER to confirm. **1**

Use the arrow keys select the number of the user you wish to delete. Press ENTER to confirm... **2**

The Clr wording will **appear** to confirm the deletion. **3**



## SAVING AND UPLOADING ALL DATA (USERS AND CONFIGURATION) WITH THE MEMORY ROLL

Procedure for memorizing all of the system's user and configuration data by using the Memory Roll, so they can be used with another control board, even on another system.

Caution! Fitting and extracting the Memory Roll must be done with the mains power disconnected.

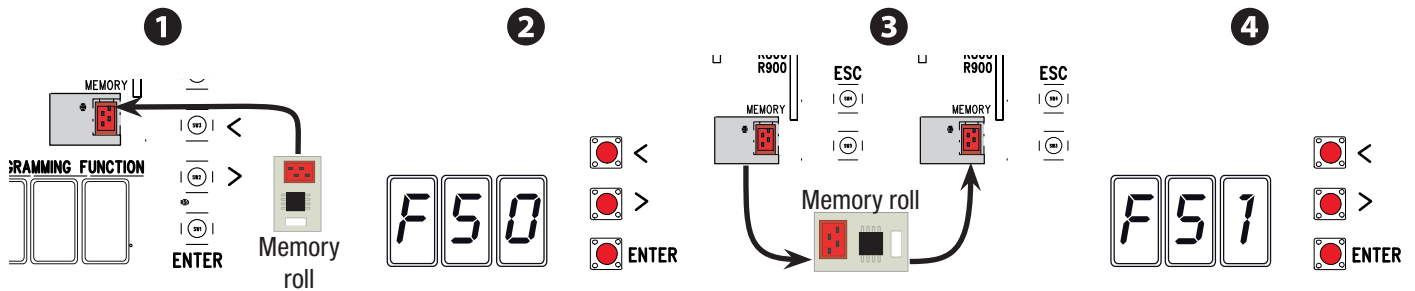
Fit the Memory Roll into the its corresponding connector on the control board. **1**

Select **ON** from the **F50** and press ENTER to confirm the saving of data in the Memory Roll. **2**

Extract the Memory roll and fit it into the connector of another control board. **3**

Select **ON** from the **F51** and press ENTER to confirm the uploading of data into the Memory Roll. **4**

After memorizing the data, it is best to remove the Memory roll.



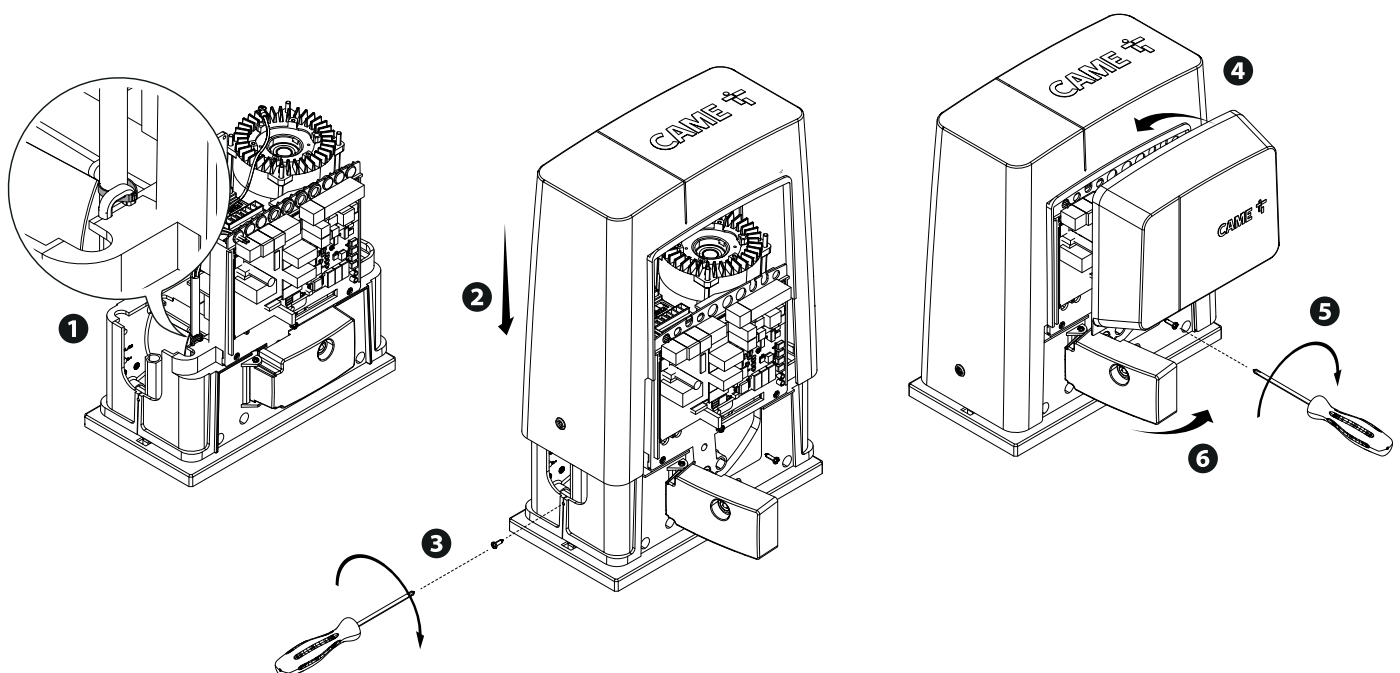
## ERROR MESSAGES

The error messages appear on the display.

E 4	Safety test error.
E 7	Insufficient working time.
E 8	Release hatch open.
E 9	Closing obstruction.
E 10	Opening obstruction.
E 11	Maximum number of obstructions detected.
E 17	Wireless system error.
E 18	Missing wireless system configuration

## FINAL OPERATIONS

Once the operator is up and running and the users are registered, refit and fasten the covers without pinching any wires.



## PAIRED OPERATION

### Electrical wiring

Important! Start by performing the following procedures on both operators:

- plug the RSE card into the connector on the control panel of both operators;

Connect the two control panels to a CAT 5-type (max. 1,000 m) cable onto terminals A-A / B-B / GND-GND, see the PAIRED OPERATION paragraph;

- connect all of the control and safety devices on the MASTER operator's control panel.

### Saving users

Execute the procedure, to add a user with an associated command, on the MASTER panel.

### Programming

Start by performing the following settings only on the MASTER control panel:

- select 1 (paired mode) from the F49 function and press ENTER to confirm;

- select the opening direction from the F54 function and press ENTER to confirm;

- select ON from the F52 function and press ENTER to confirm the transferring of the parameters to paired mode.

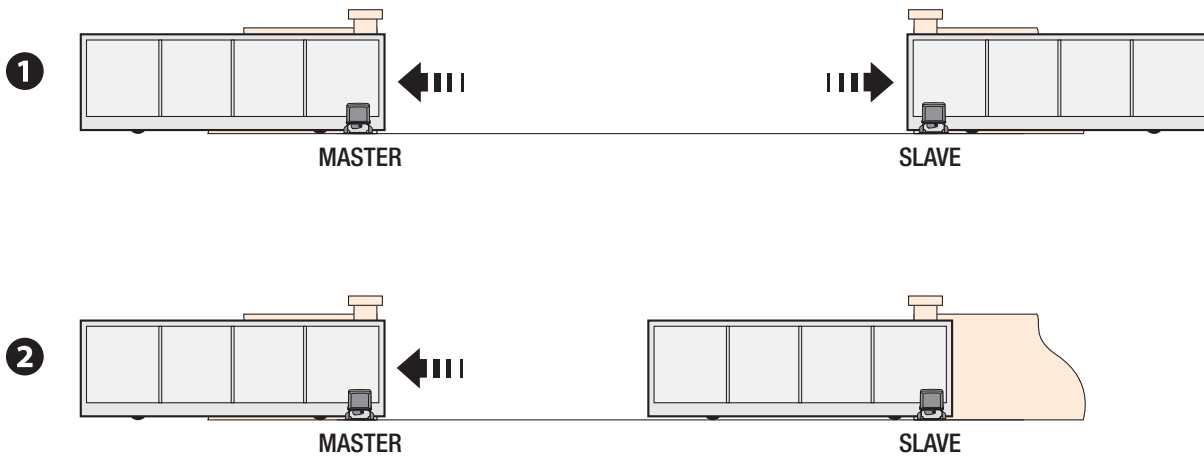
 The programming keys on the SLAVE control panel are disabled.

### Operating modes

❶ Either STEP-STEP or ONLY OPEN command. Both leaves open.

❷ PARTIAL/PEDESTRIAN OPENING command. Only the MASTER operator's leaf opens.

For the types of command that can be selected and paired to users, see the ENTERING USERS WITH ASSOCIATED COMMANDS.



## DISMANTLING AND DISPOSAL

 CAME CANCELLI AUTOMATICI S.p.A. applies a certified Environmental Management System at its premises, which is compliant with the UNI EN ISO 14001 standard to ensure the environment is safeguarded.

Please continue safeguarding the environment. At CAME we consider it one of the fundamentals of our operating and market strategies. Simply follow these brief disposal guidelines:

### DISPOSING OF THE PACKAGING

The packaging materials (cardboard, plastic, and so on) should be disposed of as solid household waste, and simply separated from other waste for recycling.

Always make sure you comply with local laws before dismantling and disposing of the product.

DISPOSE OF RESPONSIBLY!

### DISMANTLING AND DISPOSAL

Our products are made of various materials. Most of these (aluminum, plastic, iron, electrical cables) are classified as solid household waste. They can be recycled by separating them before dumping at authorized city plants.

Whereas other components (control boards, batteries, transmitters, and so on) may contain hazardous pollutants.

These must therefore be disposed of by authorized, certified professional services.

Before disposing, it is always advisable to check with the specific laws that apply in your area.

DISPOSE OF RESPONSIBLY!



Fabricante / Manufacturer / Hersteller / Fabricant / Fabricante / Fabricante / Wytwórca / Fabrikant

**Came S.p.a.**

indirizzo / address / adresse / adresse / direcció / endereço / adres / adres

Via Martiri della Libertà 15 - 31030 Dosson di Casier, Treviso - Italy

**CAME** 

DICHIARAZIONE DI INCORPORAZIONE allegato / DECLARATION OF INCORPORATION annex / ERKLÄRUNG FÜR DEN EINBAU anhang / DECLARATION D'INCORPORATION annexe / DECLARACION DE INCORPORACION anexo / DECLARAÇÃO DE INCORPORAÇÃO anexo / DEKLARACJA WBUROWANIA załącznik / INBOUWERKLARING bijlage IIB - 2006/42/CE

DICHIARA CHE LE AUTOMAZIONI PER CANCELLI SCORREVOLI / DECLARES THAT THE DRIVES FOR SLIDING GATES / ERKLÄRT DASS DIE AUTOMATISIERUNGEN FÜR SCHIEBETORE / DECLARE QUE LES AUTOMATISATIONS POUR PORTAILS COULISSANTS / DECLARA QUE LAS AUTOMATIZACIONES PARA PUERTAS CORREDERAS / DECLARA QUE AS AUTOMATIZAÇÕES PARA PORTÕES DE CORRER / OSWADCZA ZE AUTOMATYKA DO BRAM PRZESUWNYCH / VERKLAART DAT DE AUTOMATISERING VOOR SCHUIFHEKKEN

BKS08AGS

BKS12AGS

BKS18AGS

BKS22AGS

BKS18RGS

SONO CONFORMI ALLE DISPOSIZIONI DELLE SEGUENTI DIRETTIVE / THEY COMPLY WITH THE PROVISIONS OF THE FOLLOWING DIRECTIVES / DEN VORGABEN DER FOLGENDEN RICHTLINIEN ENTSPRECHEN / SONT CONFORMES AUX DISPOSITIONS DES DIRECTIVES SUIVANTES / CUMPLEN CON LAS DISPOSICIONES DE LAS SIGUIENTES DIRECTIVAS / ESTÃO DE ACORDO COM AS DISPOSIÇÕES DAS SEQUINTES DIRECTIVAS / SA ZGDONE Z POSTANOWIENIAMI NASTĘPUJĄCYCH DYREKTYW EUROPEJSKICH / VOLDOEN AAN DE VOORSCHRIFTEN VAN DE VOLGENDE RICHTLIJNEN:

- COMPATIBILITA' ELETTROMAGNETICA / ELECTROMAGNETIC COMPATIBILITY / ELEKTROMAGNETISCHE VERTRÄGLICHKEIT / COMPATIBILITÉ ÉLECTROMAGNÉTIQUE / COMPATIBILIDAD ELECTROMAGNÉTICA / COMPATIBILIDADE ELETTROMAGNÉTICA / KOMPATYBILNOŚCI ELEKTROMAGNETYCZNEJ / ELEKTROMAGNETISCHE COMPATIBILITEIT : 2014/30/UE.

Riferimento norme armonizzate ed altre norme tecniche / Refer to European regulations and other technical regulations / Harmonisierte Bezugsnormen und andere technische Vorgaben / Référence aux normes harmonisées et aux autres normes techniques / Referencia normas armonizadas y otras normas técnicas / Referência de normas harmonizadas e outras normas técnicas / Odnosna normy ujednolicone i inne normy techniczne / Geharmoniseerde en andere technische normen waarnaar is verwezen

EN 61000-6-2:2005  
EN 61000-6-3:2007+A1:2011  
EN 62233:2008  
EN 60335-1:2012+A11:2014  
EN 60335-2-103:2015

RISPETTANO I REQUISITI ESSENZIALI APPLICATI: / MEET THE APPLICABLE ESSENTIAL REQUIREMENTS: / DEN WESENTLIJCHEN ANGEWANDTEN ANFORDERUNGEN ENTSPRECHEN: / RESPECTENT LES CONDITIONS REQUISES NECESSAIRES APPLIQUEES: / CUMPLEN CON LOS REQUISITOS ESENCIALES APLICADOS: / RESPETAM O REQUISITOS ESSENCIAIS APLICADOS: / SPEŁNIAJA PODSTAWOWE WYMAGANE WYRUNKI: / VOLDOEN AAN DE TOEPASBARE MINIMUM EISEN:

**1.1.3; 1.1.5; 1.2.1; 1.2.2; 1.3.2; 1.3.7; 1.3.8.1; 1.4.1; 1.4.2; 1.5.1; 1.5.6; 1.5.8; 1.5.9; 1.5.9; 1.5.13; 1.6.1; 1.6.3; 1.6.4; 1.7.1; 1.7.2; 1.7.4**

PERSONA AUTORIZZATA A COSTITUIRE LA DOCUMENTAZIONE TECNICA PERTINENTE / PERSON AUTHORISED TO COMPIL THE RELEVANT TECHNICAL DOCUMENTATION / PERSON DIE BEVOLLMÄCHTIGT IST, DIE RELEVANTEN TECHNISCHEN UNTERLAGEN ZUSAMMENZUSTELLEN / DOCUMENTATION TECHNIQUE SPECIFIQUE D'AUTORISATION A CONSTRUIRE DE / PERSONA FACULTADA PARA ELABORAR LA DOCUMENTACION TECNICA PERTINENTE / PESSOA AUTORIZADA A CONSTITUIR A DOCUMENTAÇÃO TÉCNICA PERTINENTE / OSOBA UPOWAŻNIANA DO ZREDAGOWANIA DOKUMENTACJI TECHNICZNEJ / DEGENE DIE GEMACHTIGD IS DE RELEVANTE TECHNISCHE DOCUMENTEN SAMEN TE STELLEN.

**CAME S.p.a.**

La documentazione tecnica pertinente è stata compilata in conformità all'allegato VIIB. / The pertinent technical documentation has been drawn up in compliance with attached document VIIB. / Die relevante technische Dokumentation wurde entsprechend der Anlage VIIB ausgestellt. / La documentation technique spécifique a été remplie conformément à l'annexe IIB / La documentación técnica pertinente ha sido rellenada en cumplimiento con el anexo VIIB. / A documentação técnica pertinente foi preenchida de acordo com o anexo VIIB. / Odnosna dokumentacja techniczna została zredagowana zgodnie z załącznikiem VIIB. / De technische documentatie terzake is opgesteld in overeenstemming met de bijlage VIIB.

CAME S.p.a. si impegna a trasmettere, in risposta a una richiesta adeguatamente motivata delle autorità nazionali, informazioni pertinenti sulle quasi macchine, e / Came S.p.A., following a duly motivated request from the national authorities, undertakes to provide information related to the quasi machines, and / Die Firma Came S.p.A. verpflichtet sich auf eine angemessen motivierte Anfrage der staatlichen Behörden Informationen über die unvollständigen Maschinen, zu übermitteln, und / Came S.p.A. s'engage à transmettre, en réponse à une demande bien fondée de la part des autorités nationales, les renseignements relatifs aux quasi machines / Came S.p.A. se compromete a transmitir, como respuesta a una solicitud adecuadamente fundada por parte de las autoridades nacionales, informaciones relacionadas con las cuasimáquinas / Came S.p.A. compromete-se em transmitir, em resposta a uma solicitação motivada apropriadamente pelas autoridades nacionais, informações pertinentes às partes que compoñam máquinas / Came S.p.A. zobowiązuje się do udzielenia informacji dotyczących maszyn nieukończonych na odpowiednio umotywowana prośbę, złożoną przez kompetentne organy państwowe / Came S.p.A. verbindt zich ertoe om op met redenen omkleed verzoek van de nationale autoriteiten de relevante informatie voor de niet voltooid machine te verstrekken.

**VIETA / FORBIDS / VERBIETET / INTERDIT / PROHIBE / PROIBE / ZABRANIA SIE / VERBIEDT**

la messa in servizio finché la macchina finale in cui deve essere incorporata non è stata dichiarata conforme, se del caso alla 2006/42/CE. / commissioning of the above mentioned until such moment when the final machine into which they must be incorporated, has been declared compliant, if pertinent, to 2006/42/CE / die Inbetriebnahme bevor die „Endmaschine“ in die die unvollständige Maschine eingebaut wird, als konform erklärt wurde, gegebenenfalls gemäß der Richtlinie 2006/42/EU. / la mise en service tant que la machine finale dans laquelle elle doit être incorporée n'a pas été déclarée conforme, le cas échéant, à la norme 2006/42/CE. / la puesta en servicio hasta que la máquina final en la que será incorporada no haya sido declarada de conformidad de acuerdo a la 2006/42/CE / a colocação em funcionamento, até que a máquina final, onde devem ser incorporadas, não for declarada em conformidade, se de acordo com a 2006/42/CE. / Uruchomienia urządzenia do czasu, kiedy maszyna, do której ma być wbudowany, nie zostanie oceniona jako zgodna z wymogami dyrektywy 2006/42/WE, jeśli taka procedura była konieczna. / deze in werking te stellen zolang de eindmachine waarin de niet voltooid machine moet worden ingebouwd in overeenstemming is verklaard, indien toepasselijk met de richtlijn 2006/42/EG.

Dosson di Casier (TV)  
19 Marzo / March / März / Mars / Marzo  
/ Março / Marzec / Maart 2018

Legale Rappresentante / Legal Representative / Gesetzlicher Vertreter / Representant Legal / Representante Legal / Representante Legal / Prawny Przedstawiciel / Juridische Vertegenwoordiger

Paolo Menuzzo

Fascicolo tecnico a supporto / Supporting technical dossier / Unterstützung technischer Dossier / soutien dossier technique / apoyo expediente técnico / apoiar dossier técnico / wspieranie dokumentacji technicznej / ondersteunende technische dossier: 801MS-0070

**Came S.p.a.**

Via Martiri della Libertà, 15 - 31030 Dosson di Casier - Treviso - Italy - Tel. (+39) 0422 4940 - Fax (+39) 0422 4941  
info@came.it - www.came.com

Cap. Soc. 1.610.000,00 € - C.F. e P.I. 03481280265 - VAT IT 03481280265 - REA TV 275359 - Reg Imp. TV 03481280265

*The contents of this manual may change, at any time, and without notice.*



**CAME.COM**

**CAME S.P.A.**

Via Martiri Della Libertà, 15  
31030 Dosson di Casier - Treviso - Italy  
tel. (+39) 0422 4940 - fax. (+39) 0422 4941